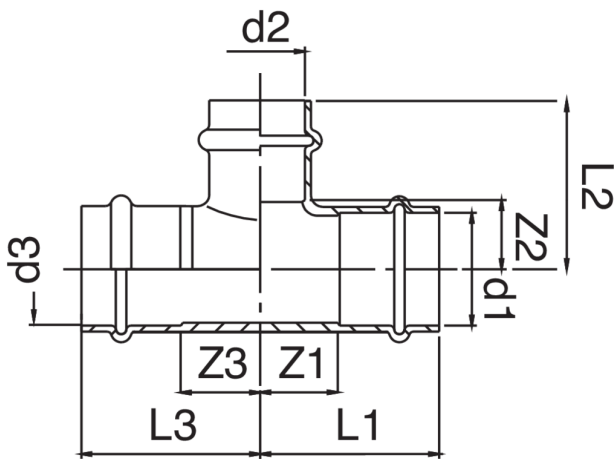




T reducido H/H/H de cobre.



Especificaciones técnicas



D1 X D2 X D3	BAG	MASTER BOX	CÓDIGO	L1	L2	L3	Z1	Z2	Z3
12 x 15 x 12	10	100	RK9131012015012	38	32	38	20	10	20
15 x 12 x 12	10	100	RK9131015012012	39	30	39	17	12	21
15 x 12 x 15	10	100	RK9131015012015	39	30	39	17	12	17
15 x 15 x 12	5	70	RK9131015015012	41	33	41	19	11	19
18 x 12 x 18	10	80	RK9131018012018	39	31	39	16	13	16
18 x 15 x 15	10	80	RK9131018015015	41	35	45	18	13	23
18 x 15 x 18	10	80	RK9131018015018	41	35	41	18	13	18
18 x 18 x 15	10	80	RK9131018018015	42	35	47	19	12	25
18 x 22 x 18	5	50	RK9131018022018	45	36	45	22	12	22
22 x 12 x 22	5	60	RK9131022012022	39	33	39	15	15	15
22 x 15 x 15	5	50	RK9131022015015	41	37	47	17	15	25
22 x 15 x 22	5	50	RK9131022015022	41	37	41	17	15	17
22 x 18 x 18	5	50	RK9131022018018	42	37	47	18	14	24
22 x 18 x 22	5	50	RK9131022018022	42	37	42	18	14	18
22 x 22 x 15	5	50	RK913102202015	45	38	51	21	14	29
22 x 22 x 18	5	50	RK913102202018	45	38	51	21	14	28

Aplicaciones

