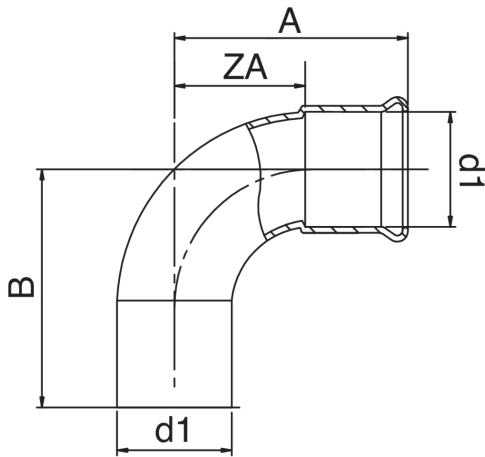




Curva 90° M/H de cobre.

## Especificaciones técnicas



| D1 | BAG | MASTER BOX | CÓDIGO          | A  | B   | ZA |
|----|-----|------------|-----------------|----|-----|----|
| 12 | 10  | 300        | QM9001012012000 | 31 | 40  | 13 |
| 15 | 10  | 200        | QM9001015015000 | 36 | 42  | 16 |
| 18 | 10  | 150        | QM9001018018000 | 41 | 50  | 21 |
| 22 | 10  | 80         | QM9001022022000 | 46 | 53  | 23 |
| 28 | 5   | 40         | QM9001028028000 | 57 | 60  | 34 |
| 35 | 5   | 30         | QM9001035035000 | 62 | 75  | 36 |
| 42 | 1   | 10         | QM9001042042000 | 76 | 94  | 46 |
| 54 | 1   | 7          | QM9001054054000 | 94 | 110 | 59 |

## Aplicaciones



COMPRESSED  
AIR



GAS



INDUSTRIAL