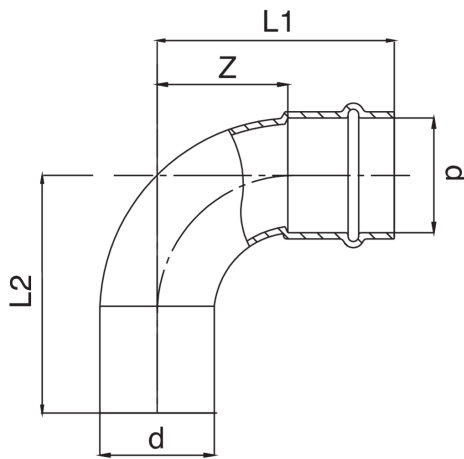


Curva 90° M/H de cobre.

Especificaciones técnicas



| D | BAG | MASTER BOX | CÓDIGO | L1 | L2 | Z |
|----|-----|------------|-----------------|-----|-----|----|
| 12 | 10 | 300 | PG9001012012000 | 33 | 34 | 15 |
| 15 | 10 | 200 | PG9001015015000 | 40 | 42 | 18 |
| 18 | 10 | 150 | PG9001018018000 | 45 | 47 | 22 |
| 22 | 10 | 80 | PG9001022022000 | 51 | 52 | 27 |
| 28 | 5 | 40 | PG9001028028000 | 59 | 61 | 34 |
| 35 | 5 | 30 | PG9001035035000 | 68 | 70 | 42 |
| 42 | 1 | 10 | PG9001042042000 | 87 | 88 | 51 |
| 54 | 1 | 7 | PG9001054054000 | 105 | 107 | 65 |

Aplicaciones



GAS



INDUSTRIAL



COMPRESSED
AIR