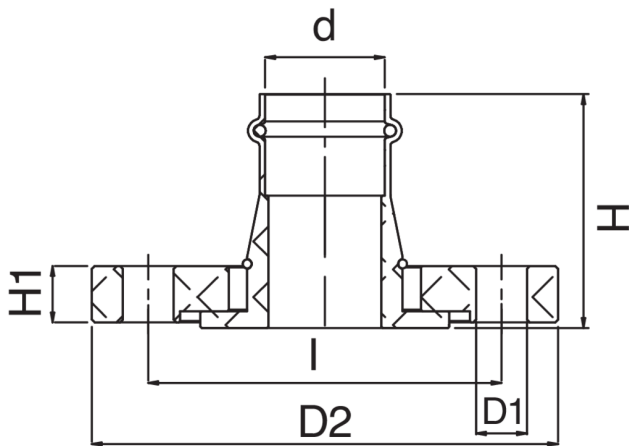




Manguito bridado de bronce.



Especificaciones técnicas



D	BAG	MASTER BOX	CÓDIGO	D1	D2	H	H1	I
28	1	10	RZ8273028000000	14	115	65	16	85
35	1	10	RZ8273035000000	18	140	70	18	100
42	1	5	RZ8273042000000	18	150	83	18	110
54	1	3	RZ8273054000000	18	165	90	20	125

The big-size, item RR9273, is available.

Aplicaciones



DRINKING
WATER



HEATING



HVAC



COMPRESSED
AIR



FIREFIGHTING