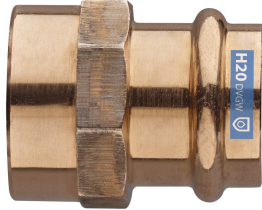
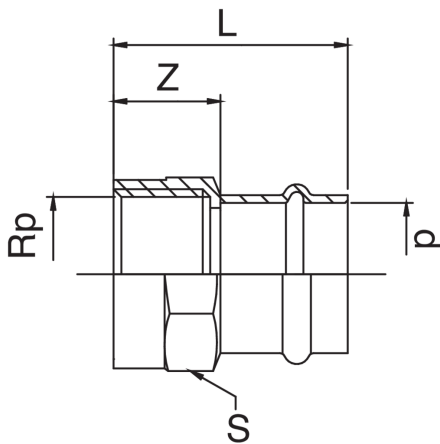


Manguito mixto H/rosca hembra de bronce.



Especificaciones técnicas



D X RP	BAG	MASTER BOX	CÓDIGO	L	S	Z
12 x 3/8"	10	250	RZ8270A38012000	35	25	5
12 x 1/2"	10	200	RZ8270A12012000	36	25	3
14 x 3/8"	10	200	RZ8270A38014000	36	25	2
14 x 1/2"	10	200	RZ8270A12014000	40	25	3
15 x 3/8"	10	200	RZ8270A38015000	36	25	2
15 x 1/2"	10	200	RZ8270A12015000	40	25	3
15 x 3/4"	10	150	RZ8270A34015000	41	32	2
16 x 1/2"	10	150	RZ8270A12016000	40	25	3
16 x 3/4"	10	150	RZ8270A34016000	41	32	2
18 x 1/2"	10	150	RZ8270A12018000	41	27	3
18 x 3/4"	10	100	RZ8270A34018000	44	31	4
22 x 1/2"	10	100	RZ8270A12022000	41	32	2
22 x 3/4"	10	100	RZ8270A34022000	46	32	5
22 x 1"	5	80	RZ8270B01022000	47	38	4
28 x 3/4"	5	60	RZ8270A34028000	48	38	8
28 x 1"	5	50	RZ8270B01028000	48	38	4
28 x 1 1/4	5	30	RZ8270B14028000	50	46	3
35 x 3/4"	5	50	RZ8270A34035000	50	42	7
35 x 1"	5	40	RZ8270B01035000	47	46	2
35 x 1 1/4	5	40	RZ8270B14035000	52	48	4
42 x 1 1/4	5	25	RZ8270B14042000	64	56	6
42 x 1 1/2	5	25	RZ8270B12042000	65	56	7
54 x 1 1/2	5	20	RZ8270B12054000	75	68	13
54 x 2"	1	15	RZ8270C02054000	80	68	16

The big-size, item RB8270, is available.

Aplicaciones



DRINKING WATER



HEATING



HVAC



COMPRESSED AIR



FIREFIGHTING