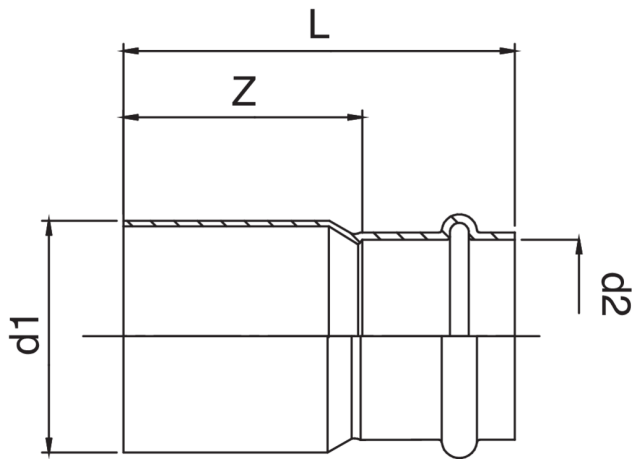




Reducción M/H de cobre.



## Especificaciones técnicas



D1 X D2	BAG	MASTER BOX	CÓDIGO	L	Z
14 x 12	10	300	RZ9243014012000	44	26
15 x 12	10	300	RZ9243015012000	44	26
16 x 12	10	250	RZ9243016012000	44	26
16 x 14	10	250	RZ9243016014000	46	27
18 x 12	10	300	RZ9243018012000	47	29
18 x 14	10	200	RZ9243018014000	50	28
18 x 15	10	200	RZ9243018015000	50	28
18 x 16	10	200	RZ9243018016000	50	28
22 x 14	10	150	RZ9243022014000	56	34
22 x 15	10	150	RZ9243022015000	56	34
22 x 16	10	150	RZ9243022016000	56	34
22 x 18	10	150	RZ9243022018000	52	29
28 x 15	10	100	RZ9243028015000	60	38
28 x 18	10	100	RZ9243028018000	59	36
28 x 22	10	100	RZ9243028022000	58	34
35 x 22	10	60	RZ9243035022000	64	40
35 x 28	10	50	RZ9243035028000	59	34
42 x 22	5	50	RZ9243042022000	76	52
42 x 28	5	40	RZ9243042028000	74	49
42 x 35	5	40	RZ9243042035000	68	42
54 x 35	5	40	RZ9243054035000	89	63
54 x 42	5	20	RZ9243054042000	90	54

The big-sizes, items RR9243 and ZM9243, are available.

# Aplicaciones



DRINKING WATER



HEATING



HVAC



COMPRESSED AIR



FIREFIGHTING