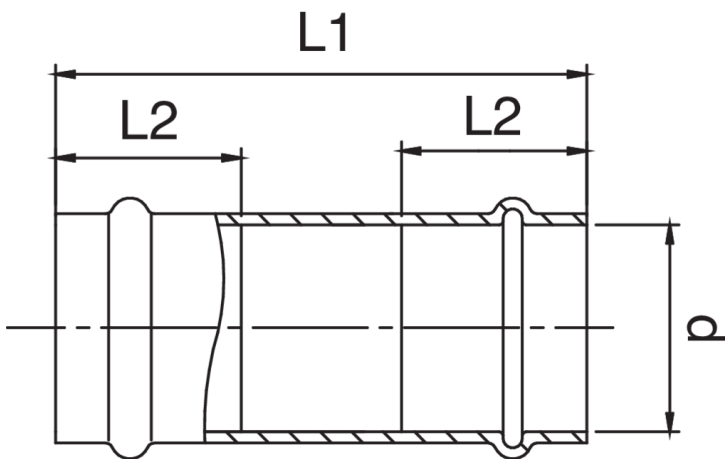


Manguito de paso H/H de cobre.



Especificaciones técnicas



D	BAG	MASTER BOX	CÓDIGO	L1	L2
12	10	100	RZ9271012012000	58	18
15	10	100	RZ9271015015000	82	22
18	10	100	RZ9271018018000	92	23
22	5	60	RZ9271022022000	97	24
28	5	50	RZ9271028028000	107	25
35	5	30	RZ9271035035000	114	26
42	5	20	RZ9271042042000	142	41
54	1	10	RZ9271054054000	163	45

The big-size, item RR9271, is available.

Aplicaciones



DRINKING
WATER



HEATING



HVAC



COMPRESSED
AIR



FIREFIGHTING