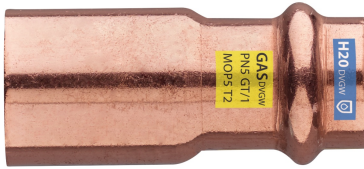
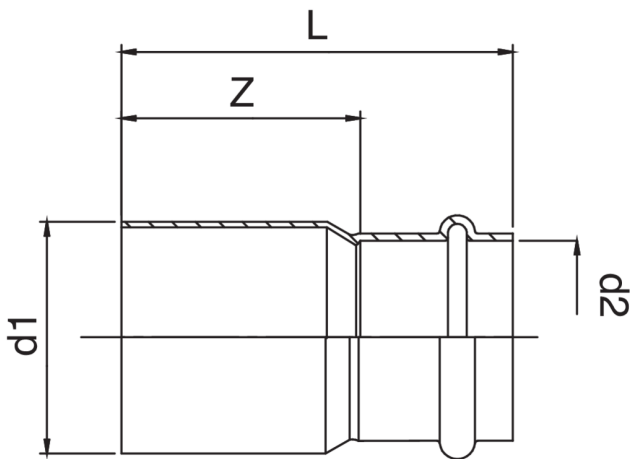


Reducción M/H de cobre.



## Especificaciones técnicas



D1 X D2	BAG	MASTER BOX	CÓDIGO	L	Z
15 x 12	10	300	RS9243015012000	44	26
18 x 12	10	300	RS9243018012000	47	29
18 x 15	10	200	RS9243018015000	50	28
22 x 15	10	150	RS9243022015000	56	34
22 x 18	10	150	RS9243022018000	52	29
28 x 15	10	100	RS9243028015000	60	38
28 x 18	10	100	RS9243028018000	59	36
28 x 22	10	100	RS9243028022000	58	34
35 x 22	10	60	RS9243035022000	64	40
35 x 28	10	50	RS9243035028000	59	34
42 x 22	5	50	RS9243042022000	76	52
42 x 28	5	40	RS9243042028000	74	49
42 x 35	5	40	RS9243042035000	68	42
54 x 35	5	20	RS9243054035000	89	63
54 x 42	5	20	RS9243054042000	90	54

The big-sizes, items RR9243 and ZM9243, are available.

## Aplicaciones



