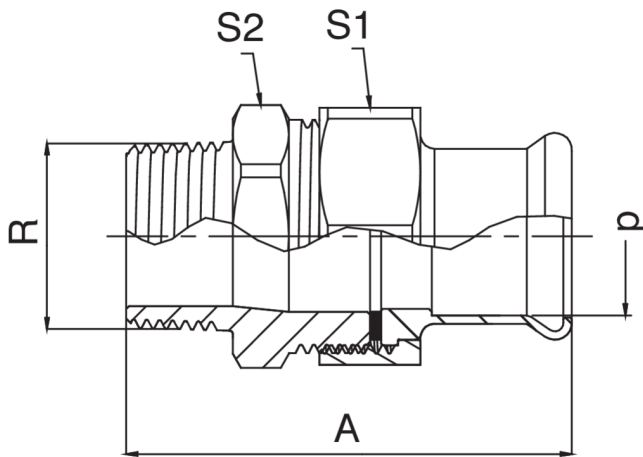


Unión H/rosca macho sede plana.

NEW



Especificaciones técnicas



| D x R | BAG | MASTER BOX | CÓDIGO | A | S1 | S2 |
|------------|-----|------------|-----------------|-----|----|----|
| 15 x 1/2" | 5 | 50 | CMF341A12015000 | 70 | 24 | 27 |
| 15 x 3/4" | 5 | 50 | CMF341A34015000 | 65 | 30 | 30 |
| 18 x 1/2" | 5 | 30 | CMF341A12018000 | 70 | 30 | 30 |
| 18 x 3/4" | 5 | 50 | CMF341A34018000 | 75 | 30 | 30 |
| 22 x 1/2" | 5 | 30 | CMF341A12022000 | 78 | 30 | 30 |
| 22 x 3/4" | 5 | 50 | CMF341A34022000 | 82 | 30 | 30 |
| 22 x 1" | 5 | 50 | CMF341B01022000 | 77 | 37 | 34 |
| 28 x 1" | 5 | 30 | CMF341B01028000 | 77 | 46 | 45 |
| 35 x 1"1/4 | 5 | 15 | CMF341B14035000 | 85 | 52 | 50 |
| 42 x 1"1/2 | 1 | 10 | CMF341B12042000 | 95 | 64 | 60 |
| 54 x 2" | 1 | 8 | CMF341C02054000 | 100 | 85 | 75 |

Aplicaciones



HEATING

HVAC

COMPRESSED
AIR