

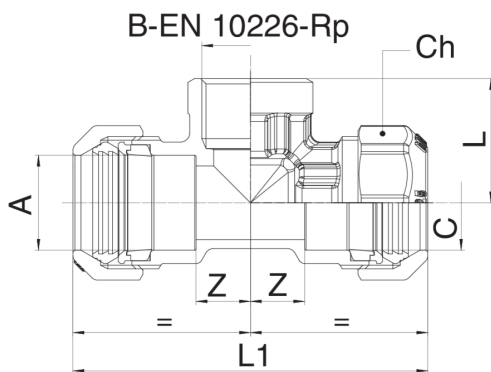
573100

Conexión T con anillo de paro en latón en POM.



NEW

Especificaciones técnicas



| A X B X C | BOX | MASTER BOX | CÓDIGO | I | CH | L | L1 | Z |
|------------------------------|-----|------------|----------------|------|----|------|-----|------|
| 20 x 1/2" x 20 | 15 | 60 | 573100200420 | 15 | 34 | 29,5 | 79 | 12 |
| 25 x 3/4" x 25 | 10 | 40 | 573100250525 | 16,3 | 41 | 34 | 96 | 15 |
| 32 x 1" x 32 | 6 | 24 | 573100320632 | 19,1 | 51 | 39,5 | 112 | 17,5 |
| 40 x 1"1/4 x 40 | 4 | 16 | 573100400740 | 21,4 | 59 | 48 | 142 | 23 |
| 50 x 1"1/2 x 50 | 2 | 8 | 573100500850 | 21,4 | 70 | 60 | 159 | 28,5 |
| 63 x 2" x 63 | 2 | 4 | 573100631063 | 25,7 | 87 | 73 | 193 | 36 |
| 75 x 2"1/2 x 75 ¹ | 1 | 2 | 573100751275 | 29 | - | 75 | 226 | 40 |
| 90 x 3" x 90 ¹ | - | 1 | 573100901490 | 32 | - | 75 | 259 | 43 |
| 110 x 4" x 110 ¹ | - | 1 | 57310011018110 | 35 | - | 100 | 280 | 46 |

¹ With flange.

Aplicaciones

