

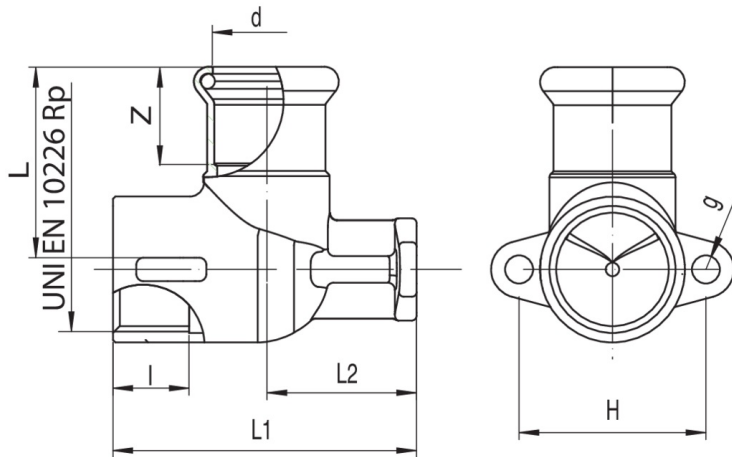


Codo mixto con brida larga.

NEW



Especificaciones técnicas



| D X RP | BAG | MASTER BOX | CÓDIGO | L | L1 | L2 | Z | I | H | G |
|-----------|-----|------------|-----------------|----|----|----|----|------|----|---|
| 15 x 1/2" | 10 | 80 | MXF474A12015000 | 38 | 65 | 34 | 20 | 15 | 40 | 6 |
| 18 x 1/2" | 10 | 80 | MXF474A12018000 | 38 | 65 | 34 | 20 | 15 | 40 | 6 |
| 22 x 3/4" | 5 | 50 | MXF474A34022000 | 43 | 65 | 32 | 21 | 16,3 | 40 | 6 |

Aplicaciones



DRINKING
WATER



HEATING



HVAC



COMPRESSED
AIR



FIREFIGHTING



MARINE



STEAM



SOLAR



INDUSTRIAL