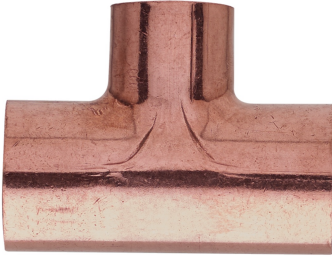
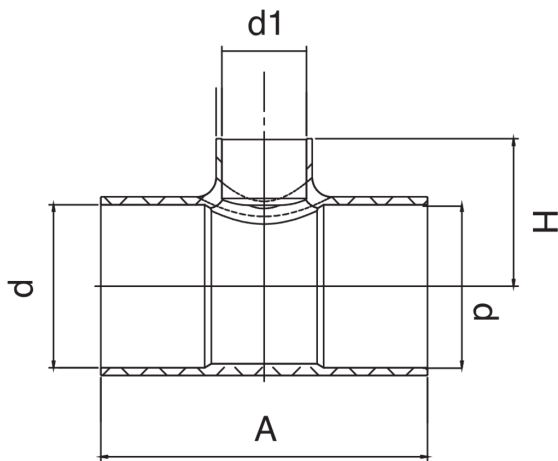


FR5130

T reducido lateral H/H/H.



Especificaciones técnicas



D X D1 X D	BAG	MASTER BOX	CÓDIGO	A	H
3/8" x 1/4" x 3/8"	10	500	FR5130A38A14A38	32	16
3/4" x 5/8" x 3/4"	10	100	FR5130A34A58A34	47,3	21,5
1" 1/8 x 7/8" x 1" 1/8	5	25	FR5130B18A78B18	72	35
1" 5/8 x 2" 1/8 x 1" 5/8	1	2	FR5130B58C18B58	82	41,5
2" 1/8 x 2" 5/8 x 2" 1/8	1	10	FR5130C18C58C18	148	71,5

Aplicaciones

