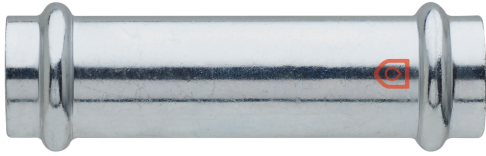
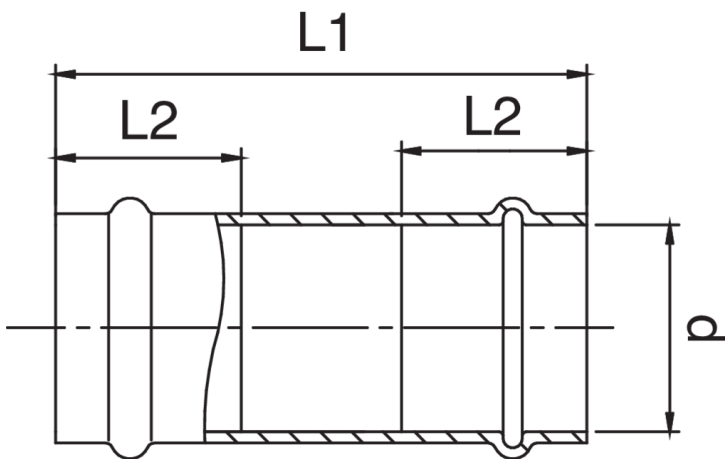


Manguito de paso H/H.



## Especificaciones técnicas



| D  | BAG | MASTER BOX | CÓDIGO          | L1  | L2 |
|----|-----|------------|-----------------|-----|----|
| 12 | 10  | 200        | ZC0271012012000 | 57  | 18 |
| 15 | 10  | 150        | ZC0271015015000 | 85  | 22 |
| 18 | 10  | 100        | ZC0271018018000 | 96  | 23 |
| 22 | 5   | 30         | ZC0271022022000 | 97  | 24 |
| 28 | 5   | 30         | ZC0271028028000 | 107 | 25 |
| 35 | 1   | 20         | ZC0271035035000 | 116 | 26 |
| 42 | 1   | 20         | ZC0271042042000 | 142 | 36 |
| 54 | 1   | 10         | ZC0271054054000 | 163 | 40 |

The big-size, item AC0271, is available.

## Aplicaciones

