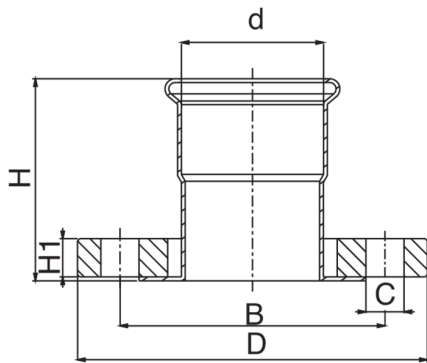


Especificaciones técnicas



D	BAG	MASTER BOX	CÓDIGO	DN	B	C	D	H	H1
76,1"	1	2	RR9273076000000	65	145	18	185	105	18
76,1"	1	2	RR9273076080000	80	160	18	200	105	20
88,9"	1	2	RR9273089000000	80	160	18	200	115	20
108"	1	2	RR9273108000000	100	180	18	220	127	20

Aplicaciones



DRINKING
WATER



HEATING



HVAC



GAS



COMPRESSED
AIR



FIREFIGHTING