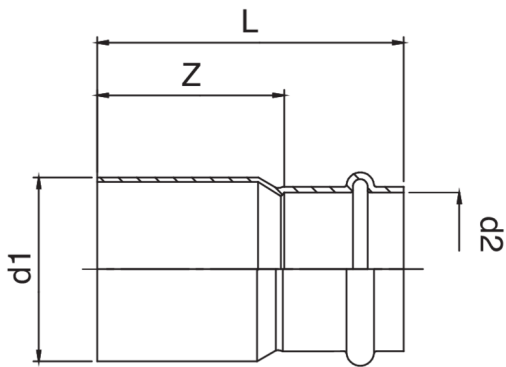




Especificaciones técnicas



| D1 X D2 | BAG | MASTER BOX | CÓDIGO | L | Z |
|------------|-----|------------|-----------------|-----|-----|
| 76.1 x 54* | 1 | 5 | RR9243076054000 | 146 | 106 |
| 88.9 x 54* | 1 | 5 | RR9243089054000 | 190 | 150 |
| 108 x 54* | 1 | 5 | RR9243108054000 | 253 | 213 |

Aplicaciones



DRINKING
WATER



HEATING



HVAC



GAS



COMPRESSED
AIR



FIREFIGHTING