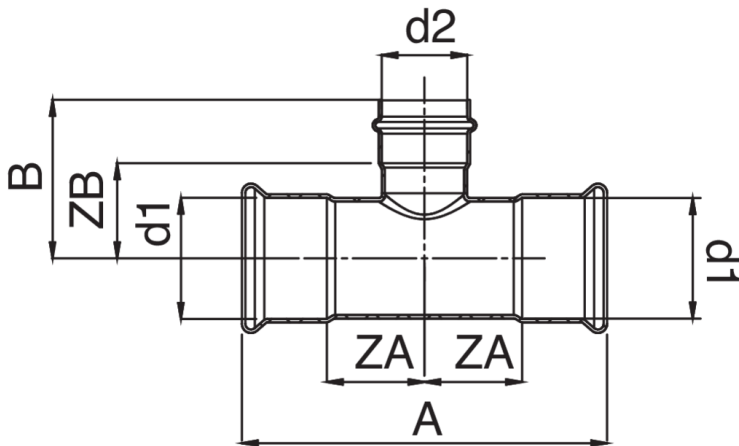


T reducido H/H/H de cobre.



Especificaciones técnicas



D1 X D2 X D1	BAG	MASTER BOX	CÓDIGO	A	B	ZA	ZB
76.1" x 54 x 76.1"	1	5	RR9131076054076	242	93	76	68
88.9" x 76.1" x 88.9"	1	2	RR9131089076089	272	126	76	68
88.9" x 54 x 88.9"	1	5	RR9131089054089	272	127	92	81
108" x 54 x 108"	1	2	RR9131108054108	324	133	92	72
108" x 76.1" x 108"	1	2	RR9131108076108	324	136	92	81
108" x 88.9" x 108"	1	2	RR9131108089108	324	142	92	72

* V profile

Aplicaciones

