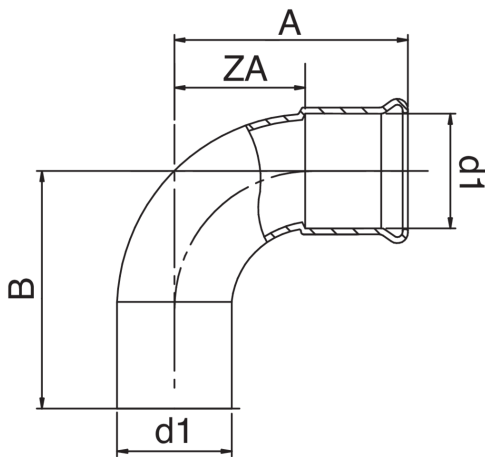




Especificaciones técnicas



D1	BAG	MASTER BOX	CÓDIGO	A	B	ZA
76,1*	1	6	RR9001076076000	146	157	91
88,9*	1	5	RR9001089089000	167	178	107
108*	1	1	RR9001108108000	200	212	130

Aplicaciones



DRINKING
WATER



HEATING



HVAC



GAS



COMPRESSED
AIR



FIREFIGHTING