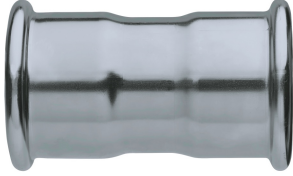
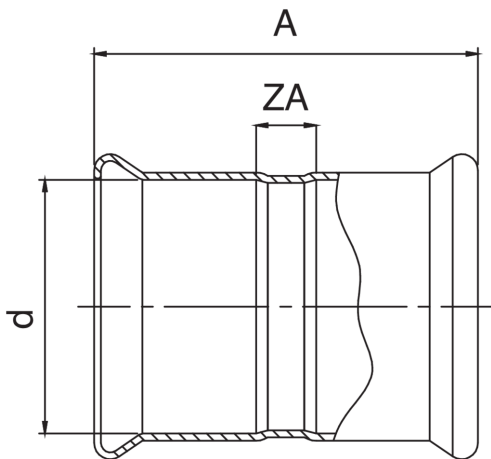


F/F coupling.



Technical specifications



D	BAG	MASTER BOX	CODE	A	ZA
66,7	1	10	AC0270067067000	130	40
76,1	1	10	AC0270076076000	152	50
88,9	1	5	AC0270089089000	175	54
108	1	5	AC0270108108000	204	66

Applications



HEATING



HVAC



COMPRESSED
AIR