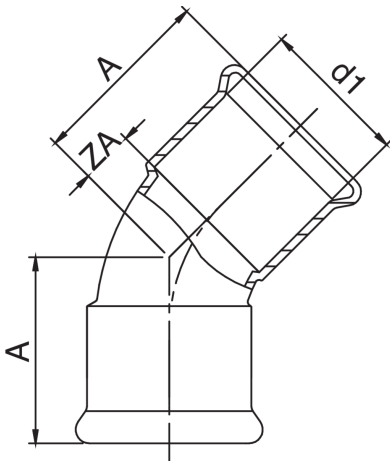




F/F 45° elbow.



## Technical specifications



D1	BAG	MASTER BOX	CODE	A	ZA
66,7	1	15	AC0041067067000	78	33
76,1	1	10	AC0041076076000	93	38
88,9	1	6	AC0041089089000	104	44
108	1	3	AC0041108108000	124	68

## Applications



HEATING



HVAC



COMPRESSED  
AIR