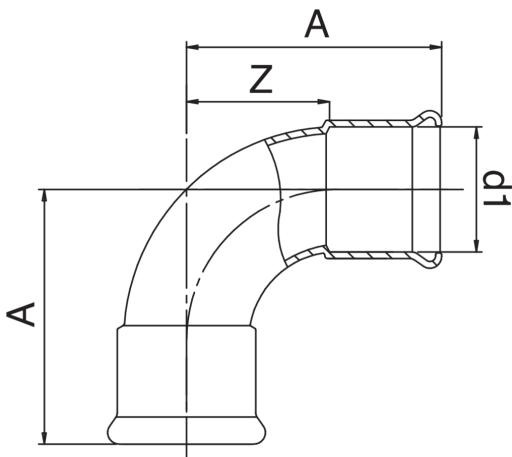




F/F 90° elbow.



Technical specifications



D1	BAG	MASTER BOX	CODE	A	Z
66,7	1	10	AC0002067067000	125	80
76,1	1	4	AC0002076076000	146	91
88,9	1	4	AC0002089089000	167	107
108	1	2	AC0002108108000	200	130

Applications



HEATING



HVAC



COMPRESSED
AIR