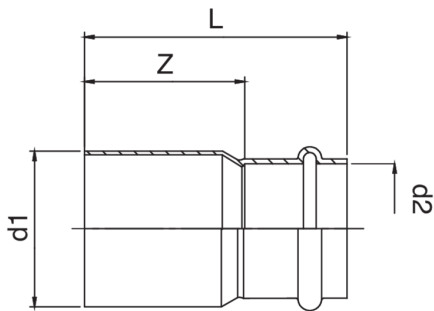


M/F reducer.



Technical specifications



| D1 X D2 | BAG | MASTER BOX | CODE | A | ZA |
|-------------|-----|------------|-----------------|-------|-------|
| 88,9 x 76,1 | 1 | 5 | AX0243089076000 | 182 | 127 |
| 108 x 76,1 | 1 | 2 | AX0243108076000 | 265 | 210 |
| 108 x 88,9 | 1 | 5 | AX0243108089000 | 249,5 | 189,5 |

Applications

