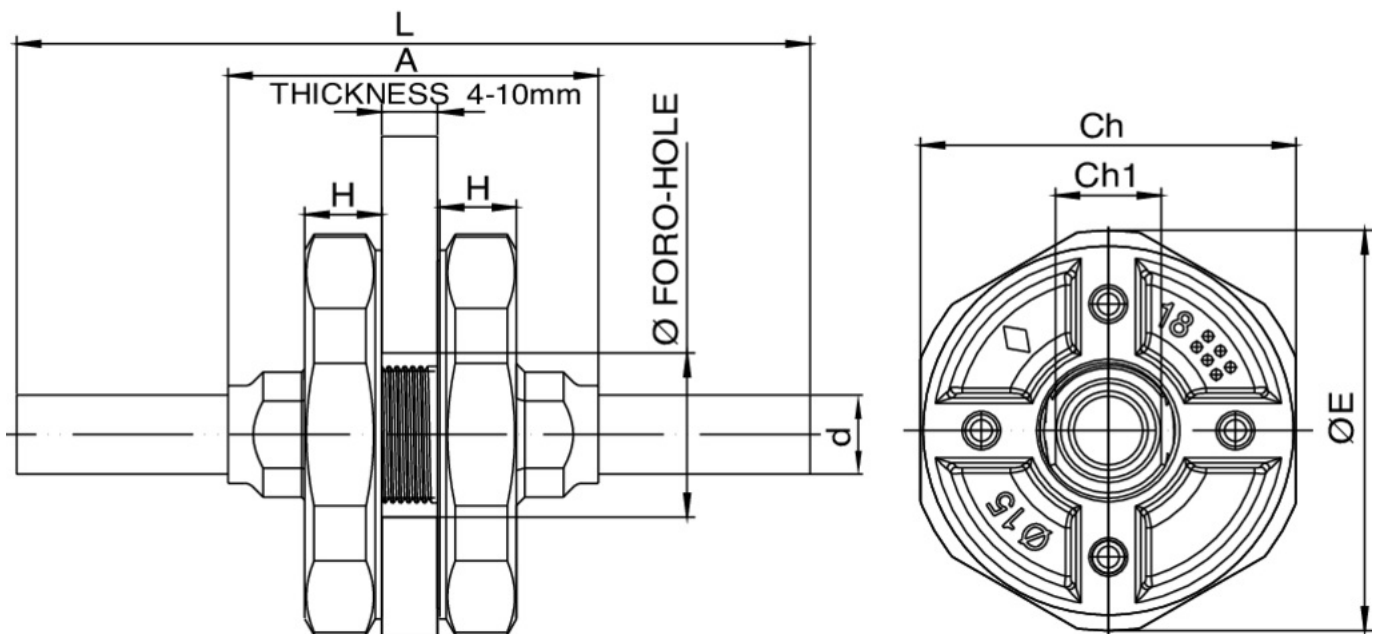


Deck/bulkhead watertight and fireproof pipe penetration class A30/60.

## Technical specifications



D	MASTER BOX	CODE	A	ØE	CH	CH1	H	L	PN	Ø FORO Ø HOLE
15	4	5N810015	70	76	71	20	14,5	735	16	29
22	4	5N810022	75	84	79	26,5	15	740	16	36
28	4	5N810028	77	93	87	33	15,5	740	16	42
35	3	5N810035	80	100	94	40	16	750	16	49
42	3	5N810042	81	108	101	47	16,5	760	16	56
54	3	5N810054	82	126	117	60	18	770	16	69
76	2	5N810076	84	148	139	82	19	805	16	91
88	2	5N810088	86	161	152	95	20	820	16	104
108	2	5N8100108	88	180	171	114	21	850	16	123

## Applications



MARINE

