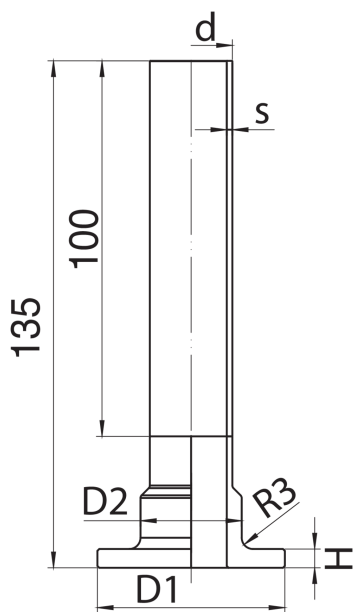




Collar for loose flanges PN6-PN10/16.

## Technical specifications



<b>D X D1</b>	<b>BAG</b>	<b>MASTER BOX</b>	<b>CODE</b>	<b>PN</b>	<b>D2</b>	<b>H</b>	<b>S</b>
22 x 50	2	52	5N59002250	6	27,5	5	1
22 x 58	2	52	5N59002258	10/16	27,5	5	1
28 x 60	2	36	5N59002860	6	32,5	5	1,5
28 x 68	2	32	5N59002868	10/16	32,5	5	1,5
35 x 70	2	28	5N59003570	6	40,5	5	1,5
35 x 78	2	28	5N59003578	10/16	40,5	5	1,5
42 x 80	2	20	5N59004280	6	47	6	1,5
42 x 88	2	16	5N59004288	10/16	47	6	1,5
54 x 90	2	16	5N59005490	6	60	6	1,5
54 x 102	2	16	5N590054102	10/16	60	6	1,5
76.1 x 110	2	4	5N590076110	6	79	6	2
76.1 x 122	2	4	5N590076122	10/16	79	6	2
88.9 x 128	2	4	5N590088128	6	92	7	2
88.9 x 138	2	4	5N590088138	10/16	92	7	2
108 x 148	2	4	5N5900108148	6	111,5	7	2
108 x 158	2	4	5N5900108158	10/16	111,5	7	2

## Applications



MARINE