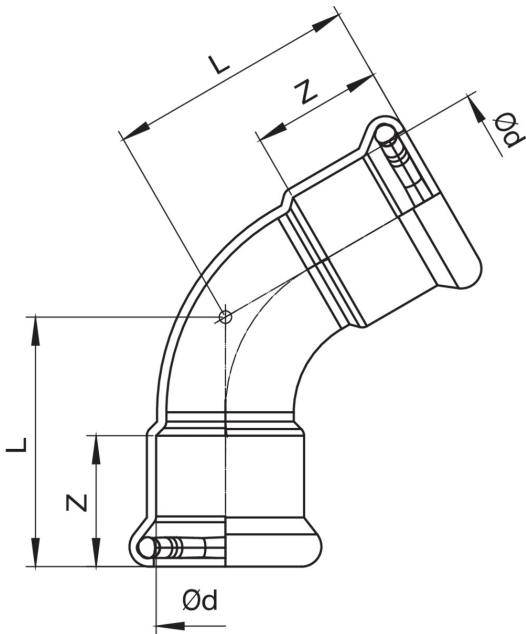




F/F 60° elbow.

Technical specifications



| D | BAG | MASTER BOX | CODE | L | Z |
|------|-----|------------|----------|-------|------|
| 15 | 10 | 250 | 5N380015 | 34 | 19 |
| 18 | 10 | 250 | 5N380018 | 36 | 19,5 |
| 22 | 5 | 120 | 5N380022 | 42,5 | 21 |
| 28 | 5 | 60 | 5N380028 | 46,5 | 22 |
| 35 | 5 | 50 | 5N380035 | 69 | 27 |
| 42 | 2 | 24 | 5N380042 | 88,5 | 30 |
| 54 | 2 | 16 | 5N380054 | 112,5 | 35 |
| 76,1 | 1 | 5 | 5N380076 | 120 | 54 |
| 88,9 | 1 | 3 | 5N380088 | 137 | 61 |
| 108 | 1 | 2 | 5N380108 | 181,5 | 76 |

Applications



MARINE