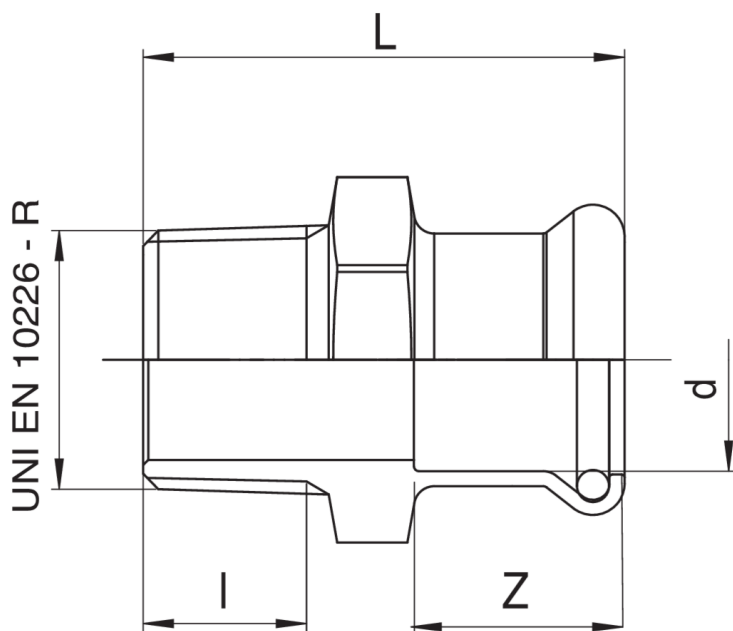


Male adaptor.

Technical specifications



DXR	BAG	MASTER BOX	CODE	L	Z	L
15 x 1/2"	10	300	5N00001504	44	19	15
18 x 1/2"	10	250	5N00001804	45	19,5	15
22 x 3/4"	5	150	5N00002205	46	21	16,3
28 x 1"	5	100	5N00002806	53	22	19,1
35 x 1"1/4	5	70	5N00003507	60	27	21,4
42 x 1"1/2	2	40	5N00004208	63	30	21,4
54 x 2"	2	28	5N00005410	73	35	25,7

Applications



MARINE