

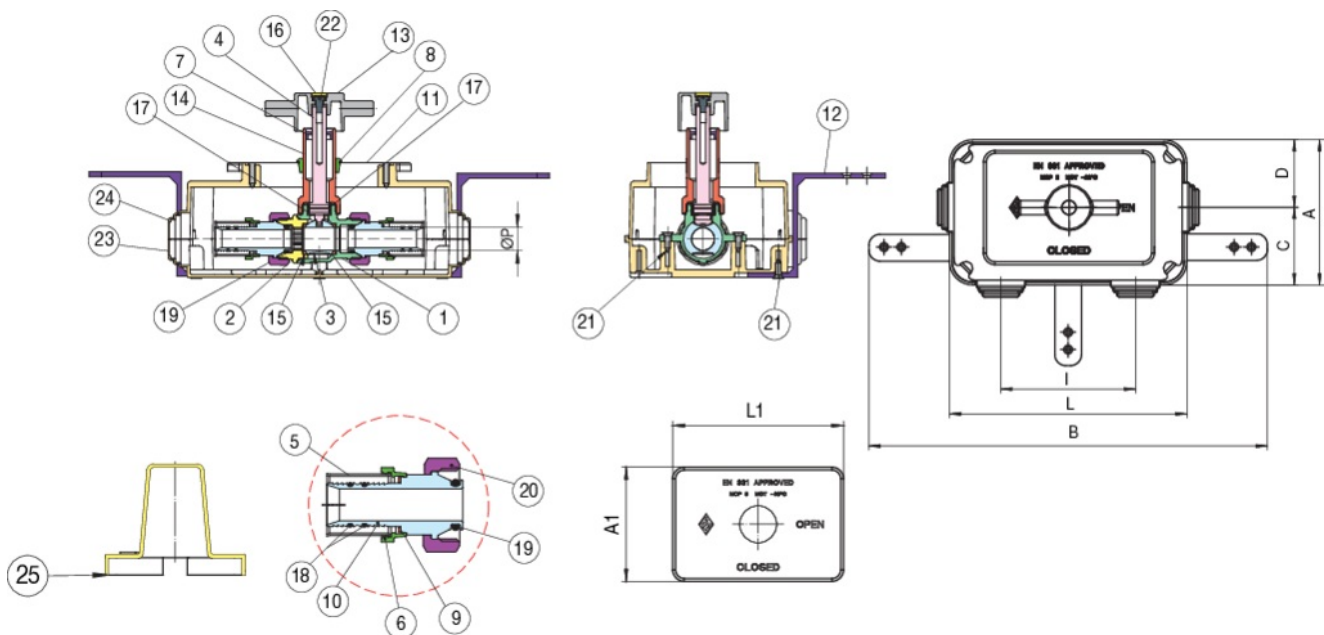
9381

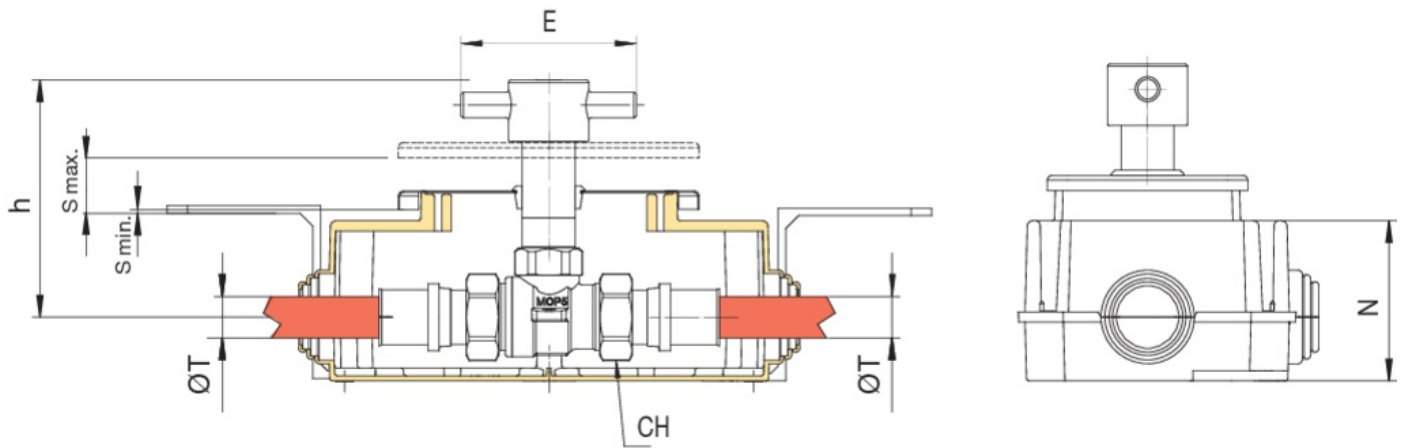
PATENTED



Gas ball valve with built-in inspection box according to UNI 7129, UNI 11528 norms, gas TURBO PRESS GAS straight connections and control lever.

Technical specifications





POSITION	PART NAME	MATERIAL	N.° PIECES
1	BODY	BRASS CW617N UNI EN 12165	1
2	END CONNECTION	BRASS CW614N UNI EN 12164	1
3	BALL	BRASS CW617N UNI EN 12165	1
4	STEM	BRASS CW614N UNI EN 12164	1
5	BUSH	STAINLESS STEEL AISI 304	2
6	STEM RETAINING NUT	PP	2
7	STEM RETAINING NUT	BRASS CW614N UNI EN 12164	1
8	LID SEAL	POLYETHYLENE	1
9	FLAT SEAT	PE	2
10	FITTING	BRASS CW617N UNI EN 12165	2
11	PLATE	STAINLESS STEEL AISI 430	1
12	SUPPORT	POM	3
13	T-HANDLE	ZAMA/G Zn Al14 ALLOY	1
14	SUPPORT	BRASS CW614N UNI EN 12164	1
15	BALL SEAT	PTFE	2
16	CAP	ABS	1
17	O-RING	NBR	2
18	O-RING	HNBR	4
19	O-RING	HNBR	2
20	NUT	BRASS CW617N UNI EN 12165	2
21	SCREW	STEEL	5
22	SCREW	BRASS CW614N UNI EN 12164	1
23	INSPECTION BOX	HIPS	1
24	INSPECTION BOX	HIPS	1
25	COVER	ABS	1

SIZE	BOX	MASTER BOX	CODE	ØT	ØP	A	A1	B	C	D	E	H	L	CH	L	L1	N	S MIN	S MAX	KG
16	1	4	9381160000	16	15	109	80	299	58	51	70	94,5	101	30	178	120	62,5	1,5	20,5	0,82
20	1	4	9381200000	20	15	109	80	299	58	51	70	94,5	101	30	178	120	62,5	1,5	20,5	0,84
26	1	1	9381260000	26	15	109	80	299	58	51	70	94,5	101	30	178	120	62,5	1,5	20,5	0,86

Valve **938 C** included.

Applications



GAS

