

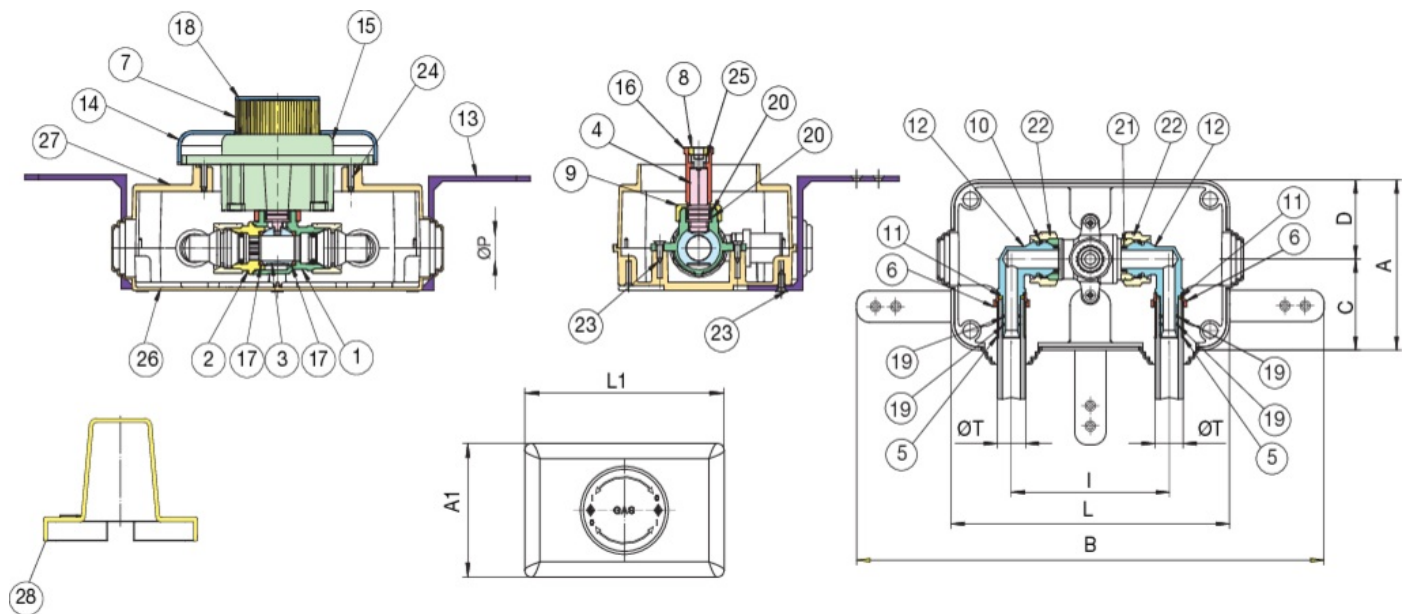
9372

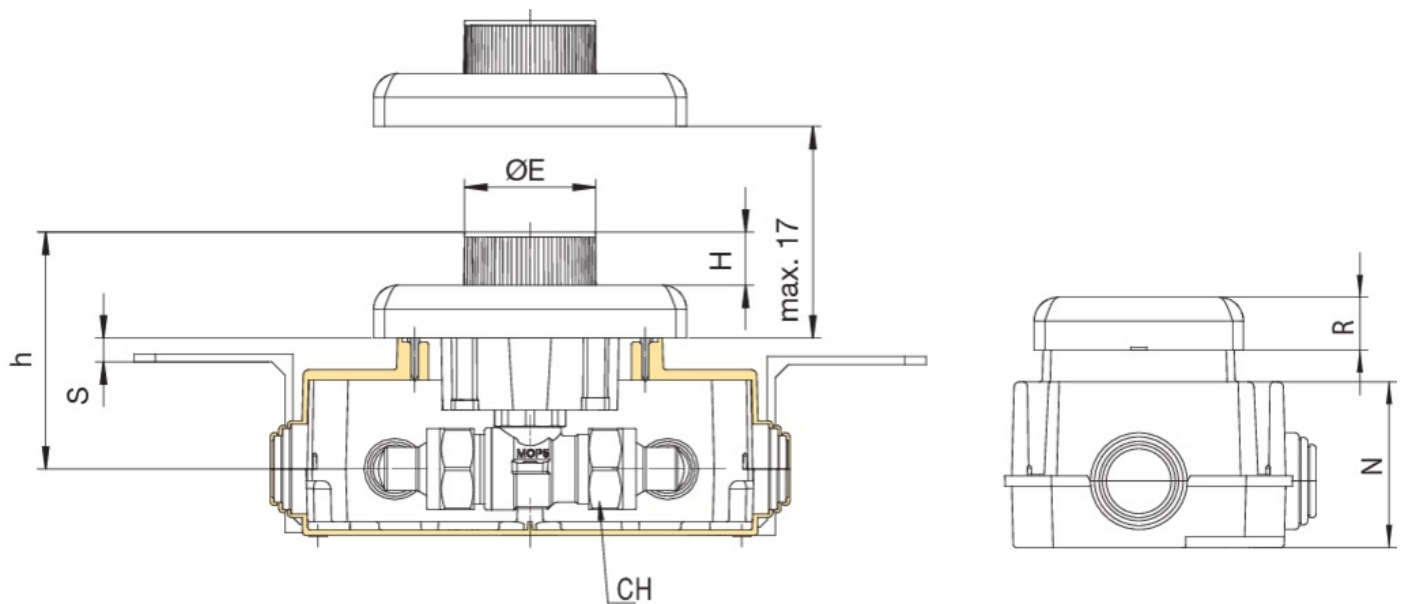
PATENTED



Built-in full bore ball valve for gas, TURBO PRESS GAS connections and inspection box acc. to UNI 7129, UNI 11528 specifications, with "push and turn" control knob.

Technical specifications





POSITION	PART NAME	MATERIAL	N.° PIECES
1	BODY	BRASS CW617N UNI EN 12165	1
2	END CONNECTION	BRASS CW614N UNI EN 12164	1
3	BALL	BRASS CW617N UNI EN 12165	1
4	STEM	BRASS CW614N UNI EN 12164	1
5	BUSH	STAINLESS STEEL AISI 304	2
6	STEM RETAINING NUT	PP	2
7	STEM RETAINING NUT	BRASS CW614N UNI EN 12164	1
8	STEM RETAINING NUT	ABS	1
9	STEM RETAINING NUT	BRASS CW614N UNI EN 12164	1
10	FASTERING RING	STAINLESS STEEL AISI 302	2
11	FLAT SEAT	PE	2
12	FITTING	BRASS CW617N PTL	2
13	SUPPORT	POM	3
14	PLATE	ABS	1
15	OPERATING MECHANISM	POM	1
16	EXTENSION	BRASS CW614N UNI EN 12164	1
17	BALL SEAT	PTFE	2
18	CAP	ABS	1
19	O-RING	NBR	2
20	O-RING	HNBR	4
21	O-RING	HNBR	2
22	NUT	BRASS CW617N UNI EN 12165	2
23	SCREW	STEEL	5
24	SCREW	STEEL	2
25	SCREW	BRASS CW614N UNI EN 20898	1
26	INSPECTION BOX	HIPS	1
27	INSPECTION BOX	HIPS	1
28	COVER	HIPS	1

MATERIALE - MATERIALS	SIZE	DN	BOX	MASTER BOX	CODE	ØT	ØP	A	A1	B	C	D	ØE	H	H I	CH	L	L1	N	R	S	KG	
PLASTICA CROMATA - CHROMED PLASTIC	16	15	1	4	9372160000	16	15	109	80	299	58	51	50	90	20	101	30	178	120	62,5	20	9	0,63
PLASTICA CROMATA - CHROMED PLASTIC	20	15	1	4	9372200000	20	15	109	80	299	58	51	50	90	20	101	30	178	120	62,5	20	9	0,63
PLASTICA NERA - BLACK PLASTIC	16	15	1	4	9372160001	16	15	109	80	299	58	51	50	90	20	101	30	178	120	62,5	20	9	0,63
PLASTICA NERA - BLACK PLASTIC	20	15	1	4	9372200001	20	15	109	80	299	58	51	50	90	20	101	30	178	120	62,5	20	9	0,63
PLASTICA BIANCA - WHITE PLASTIC	16	15	1	4	9372160002	16	15	109	80	299	58	51	50	90	20	101	30	178	120	62,5	20	9	0,63
PLASTICA BIANCA - WHITE PLASTIC	20	15	1	4	9372200002	20	15	109	80	299	58	51	50	90	20	101	30	178	120	62,5	20	9	0,63

Valve [937 C](#) included.

Applications



GAS