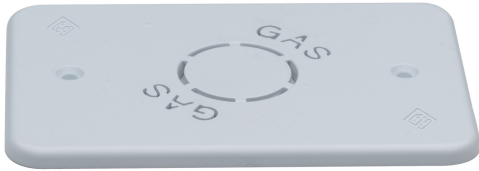


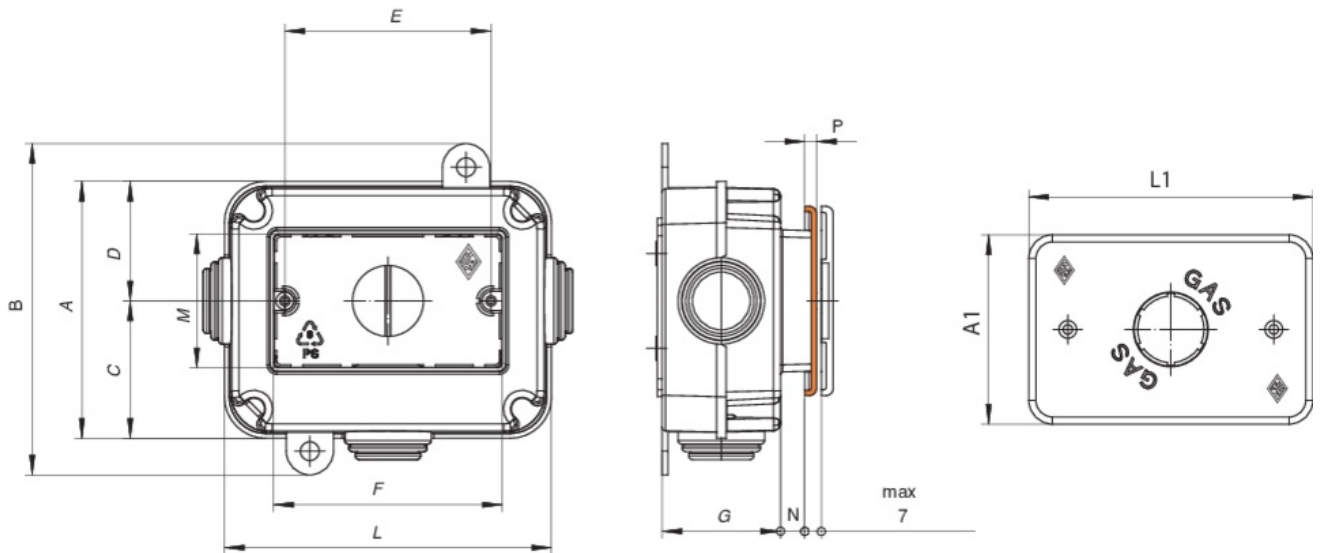
53RI00

PATENTED

Built-in box for concealed fittings.



Technical specifications



MISURA - SIZE	BOX	MASTER BOX	CODE	A	A1	B	C	D	E	F	L	L1	G	N	P
cm 12 X 8	2	8	53RI0000	108,5	80	140	58	50,5	87	96,5	138	120	50	10	5

Applications



GAS