

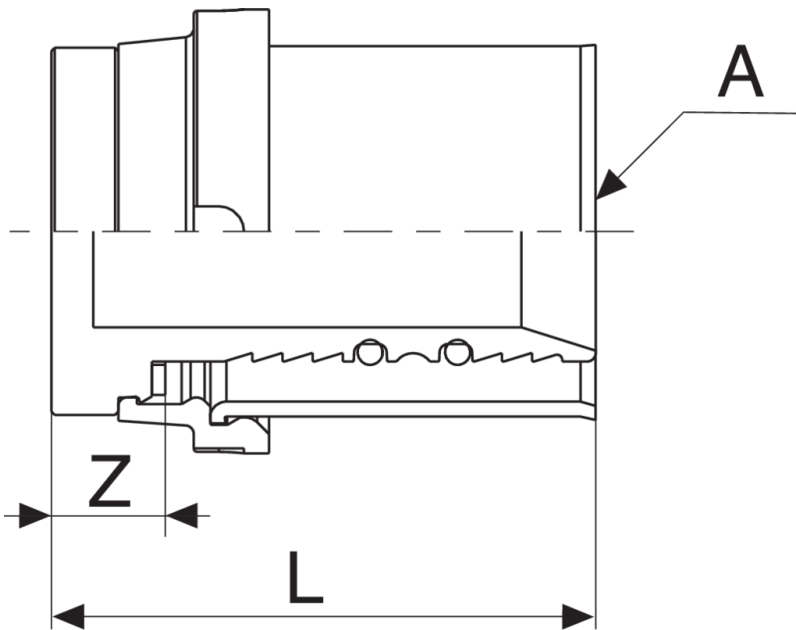
535300

PATENTED



Cap for gas.

Technical specifications



A	SP	BAG	BOX	MASTER BOX	CODE	L	Z
16	2	10	60	480	53530016	31,5	6
20	2	10	50	400	53530020	32,5	7
26	3	5	25	200	53530026	39	8
32	3	5	20	160	53530032	40,5	8

Applications



GAS