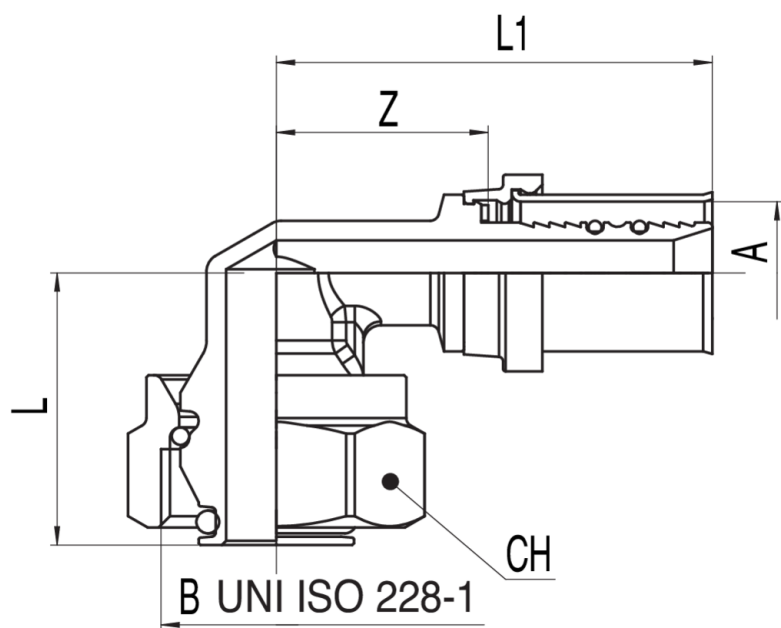


535800

PATENTED

Elbow, 2-piece, with flat seat euroconus 3/4" for gas.

Technical specifications



A X B	SP	BAG	BOX	MASTER BOX	CODE	CH	L	L1	Z
16 x 3/4"	2	2	20	160	5358001605	30	31	50	24,5
20 x 3/4"	2	2	10	80	5358002005	30	31	50	24,5

Applications



