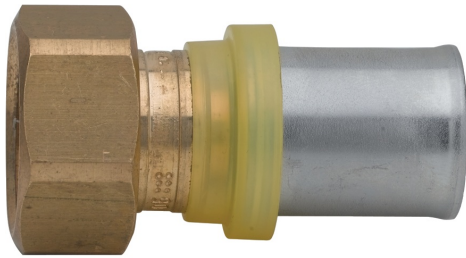


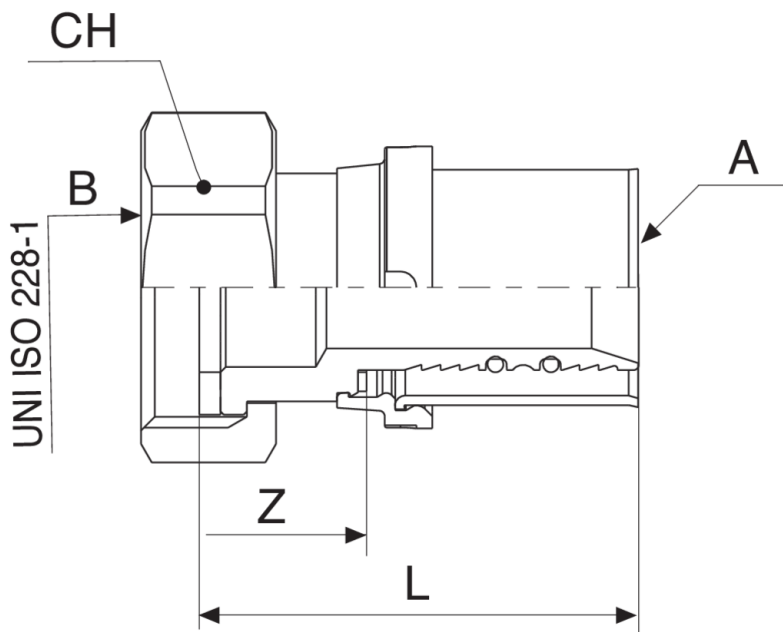
535000

PATENTED



2 pieces straight fitting flat seals for gas.

Technical specifications



A x B	SP	BAG	BOX	MASTER BOX	CODE	CH	L	Z
16 x 3/4"	2	5	20	160	5350001605	30	37	11,3
16 x 1"	2	5	20	160	5350001606	30	41	15,3
20 x 3/4"	2	5	20	160	5350002005	37	39	13,3
20 x 1"	2	5	15	120	5350002006	37	39	13,3
26 x 1"	3	5	15	120	5350002606	37	25	21,05

Applications



GAS

