

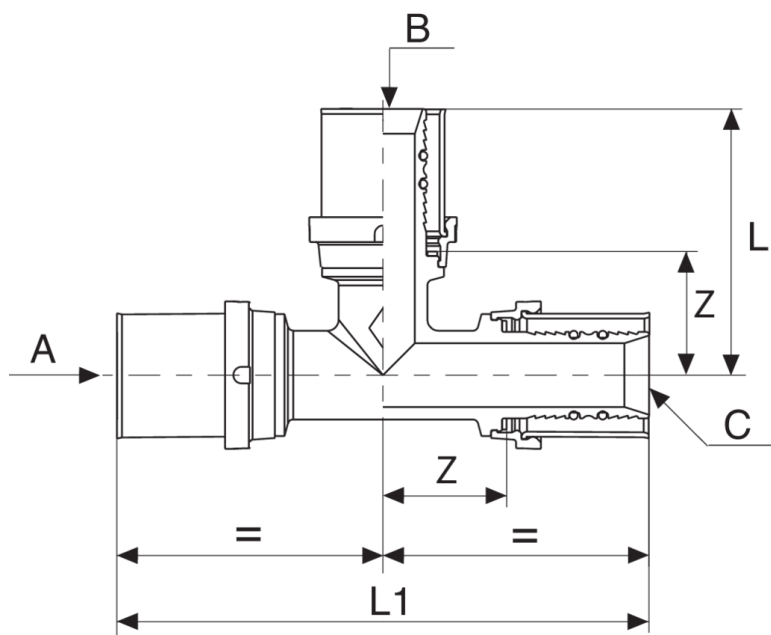
533600

PATENTED



“TEE” widening in center position for gas.

Technical specifications



A X B X C	SP	BAG	BOX	MASTER BOX	CODE	L	L1	Z
16 x 20 x 16	2	5	10	80	533600162016	48	96	22,5
20 x 26 x 20	2-3-2	5	10	80	533600202620	57,5	104	26,5
26 x 32 x 26	3	2	4	32	533600263226	62	121	29,5

Applications



