

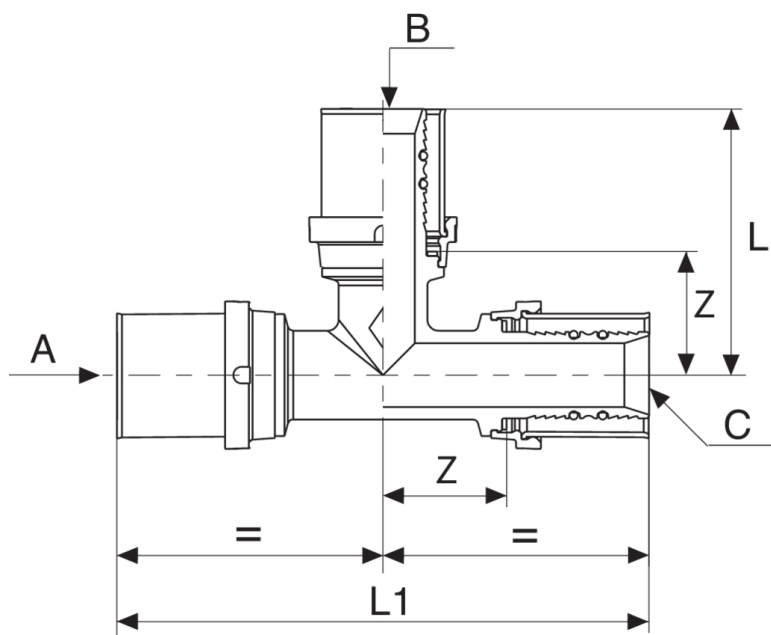
533300

PATENTED



“TEE” reduced in center position for gas.

Technical specifications



A X B X C	SP	BAG	BOX	MASTER BOX	CODE	L	L1	Z
20 x 16 x 20	2	5	10	80	533300201620	48	96	22,5
26 x 16 x 26	3-2-3	5	10	80	533300261626	52	115	26,5
26 x 20 x 26	3-2-3	5	6	48	533300262026	52	115	26,5
32 x 20 x 32	3-2-3	2	4	32	533300322032	55	124	29,5
32 x 26 x 32	3	2	4	32	533300322632	60,5	124	29,5

Applications



GAS