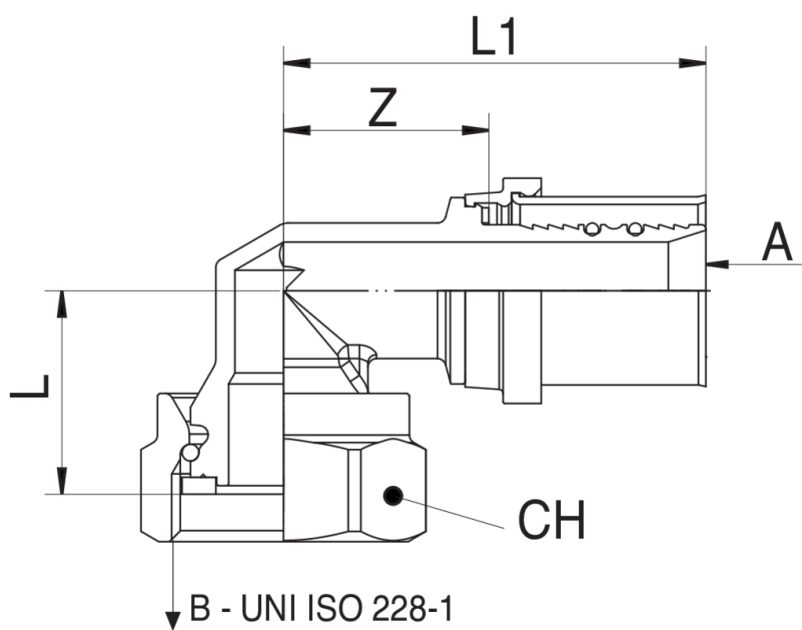


531700

PATENTED

Elbow, 2-piece, with flat seat for gas.

Technical specifications



A X B	SP	BAG	BOX	MASTER BOX	CODE	CH	L	L1	Z
16 x 3/4"	2	5	15	120	5317001605	30	24	37,5	50
20 x 3/4"	2	5	15	120	5317002005	30	24	37,5	50

Applications



