

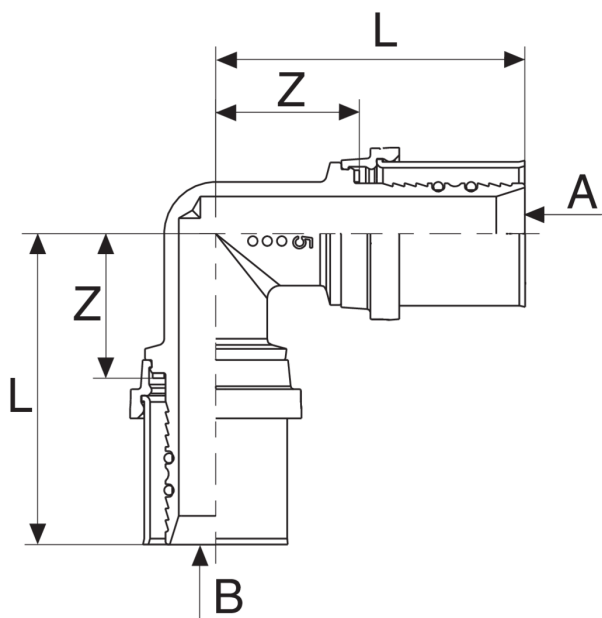


531200

PATENTED

Elbow double for gas.

Technical specifications



A X B	SP	BAG	BOX	MASTER BOX	CODE	L	Z
16 x 16	2	5	30	240	53120016	44	18,5
20 x 20	2	5	15	120	53120020	48	22,5
26 x 26	3	5	10	80	53120026	57,5	26,5
32 x 32	3	5	5	40	53120032	62	29,5

Applications



GAS