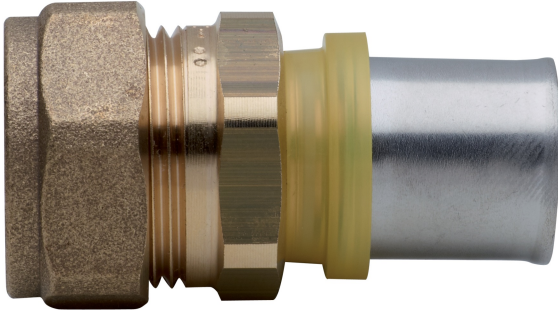


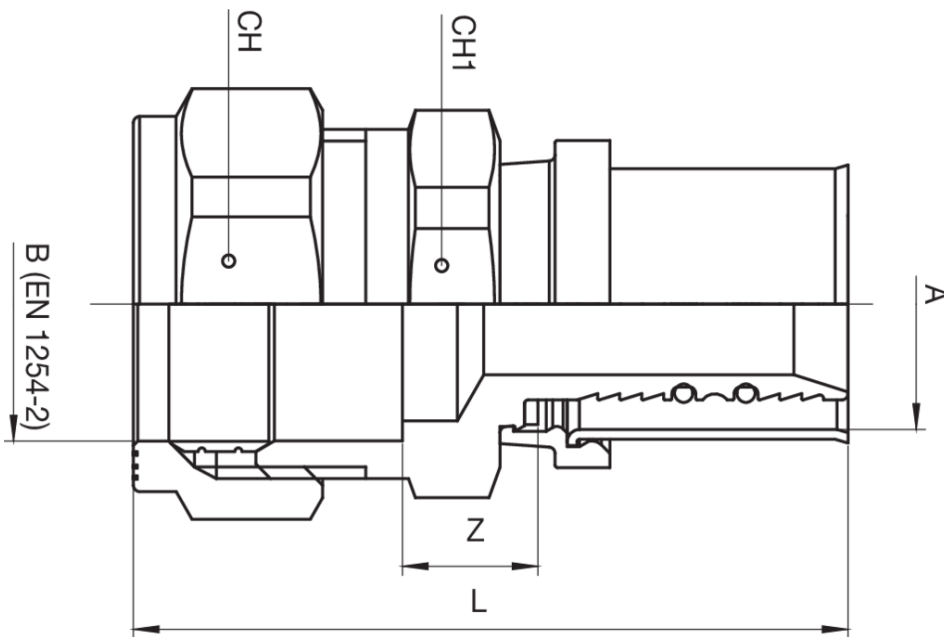
530700

PATENTED



Connection fitting copper/multilayer for gas.

Technical specifications



A X B	SP	BAG	BOX	MASTER BOX	CODE	CH	CH1	L	Z
16 x 22	2	5	25	200	5307001622	32	29	58,5	11
20 x 22	2	5	20	160	5307002022	32	29	58,5	11

Applications



GAS

