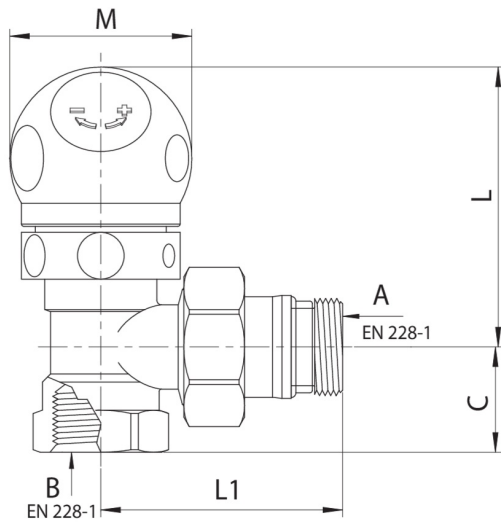


## 599105

Angle valve with thermostatic option iron pipe connections.



### Technical specifications



TRATTAMENTO - TREATMENT	A X B	BOX	MASTER BOX	CODE	C	L	L1	M
Nichelato - Nickel plated	3/8" x 3/8"	15	90	59910503	20	50	60	39
Nichelato - Nickel plated	1/2" x 1/2"	15	90	59910504	23	54	60	39
Nichelato - Nickel plated	3/4" x 3/4"	10	60	59910505	26	60	60	39

# Applications



DRINKING WATER



HEATING



HVAC



COMPRESSED AIR



INDUSTRIAL



MARINE