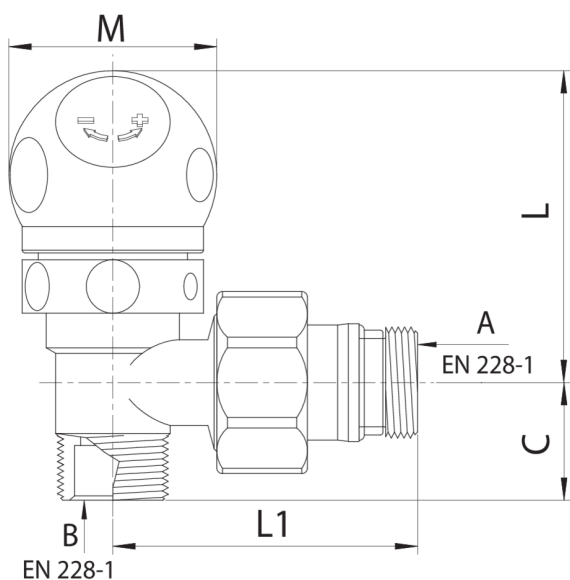


599100

Angle valve with thermostatic option copper multilayer pipe connections.



Technical specifications



TRATTAMENTO - TREATMENT	A	B	BOX	MASTER BOX	CODE	C	L	L1	M
Nichelato - Nickel plated	3/8"	1/2" x 16	15	90	5991000403	20	49	65	39
Nichelato - Nickel plated	1/2"	1/2" x 16	15	60	5991000404	23	56	65	39

Applications



DRINKING WATER



HEATING



HVAC



COMPRESSED AIR



INDUSTRIAL



MARINE