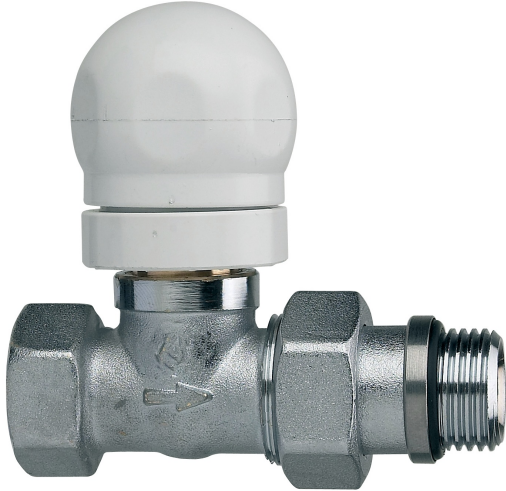
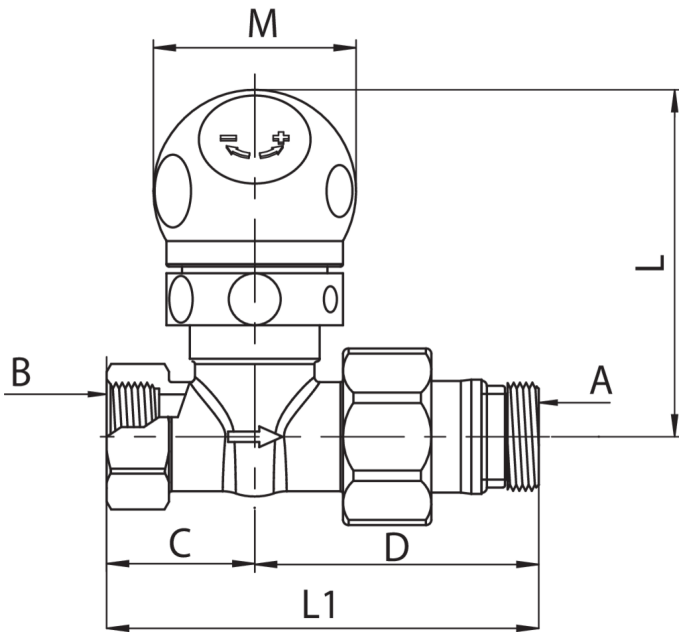


599005

Straight valve with thermostatic option iron pipe connections.



Technical specifications



TRATTAMENTO - TREATMENT	A X B	BOX	MASTER BOX	CODE	C	D	L	L1	M
Nichelato - Nickel plated	3/8" x 3/8"	15	60	59900503	30	50	69	80	39
Nichelato - Nickel plated	1/2" x 1/2"	15	60	59900504	28	54	69	82	39
Nichelato - Nickel plated	3/4" x 3/4"	10	40	59900505	28	57	69	85	39

Applications



DRINKING WATER



HEATING



HVAC



COMPRESSED AIR



INDUSTRIAL



MARINE