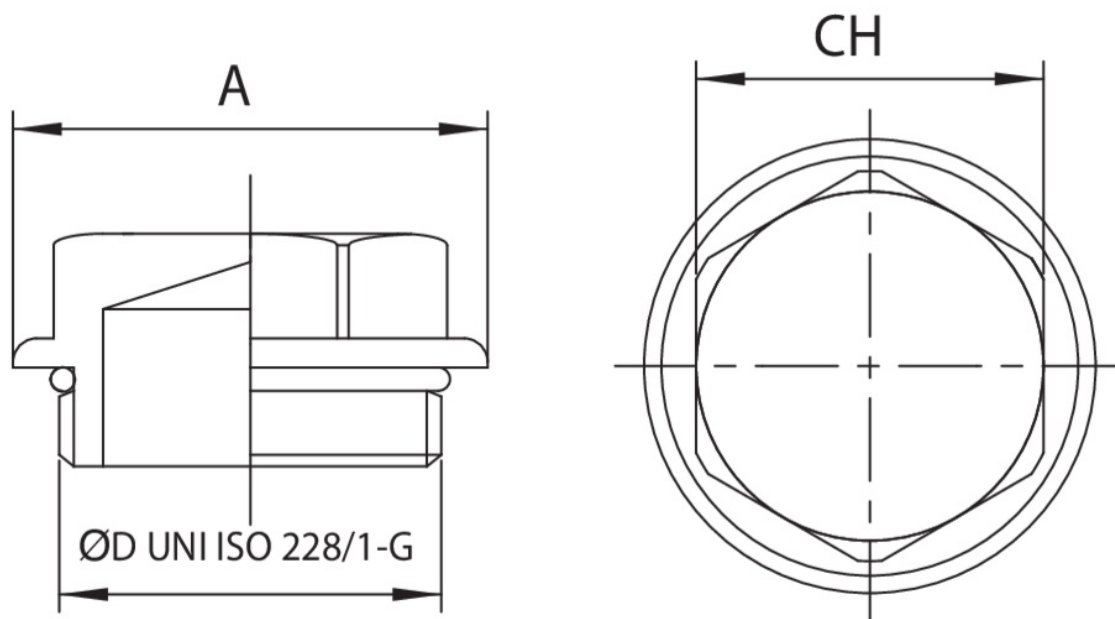


## 595011

Brass male cap with O-ring.



### Technical specifications



TRATTAMENTO - TREATMENT	MISURA - SIZE	BOX	MASTER BOX	CODE	CH	A
Nichelato - Nickel plated	3/4"	100	600	59501105	25	33
Nichelato - Nickel plated	1"	50	300	59501106	30	39

# Applications



DRINKING WATER



HEATING



HVAC



COMPRESSED AIR



INDUSTRIAL



MARINE