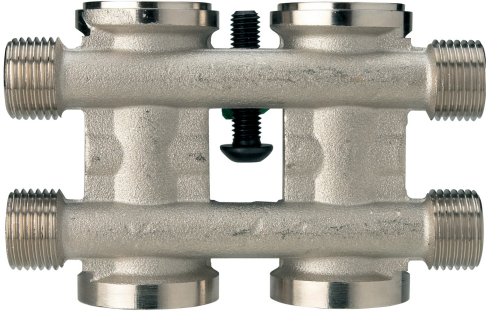
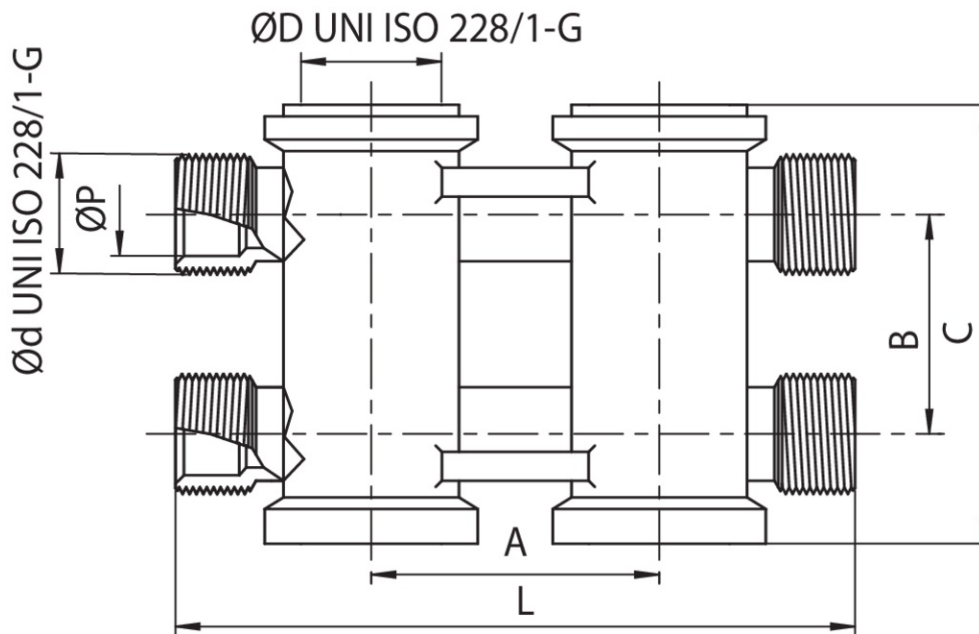


591000

Brass complanar modular manifold with 1/2" ways.



Technical specifications



TRATTAMENTO - TREATMENT	ØD X ØD	N° VIE - N° WAYS	BOX	MASTER BOX	CODE	ØP	A	B	C	L
Nichelato - Nickel plated	3/4" x 1/2"	2x2	4	24	5910000502	16	50	38	78	118
Nichelato - Nickel plated	1" x 1/2"	2x2	6	24	5910000602	16	60	38	78	134

Applications



DRINKING
WATER



HEATING



HVAC



COMPRESSED
AIR



INDUSTRIAL



MARINE

