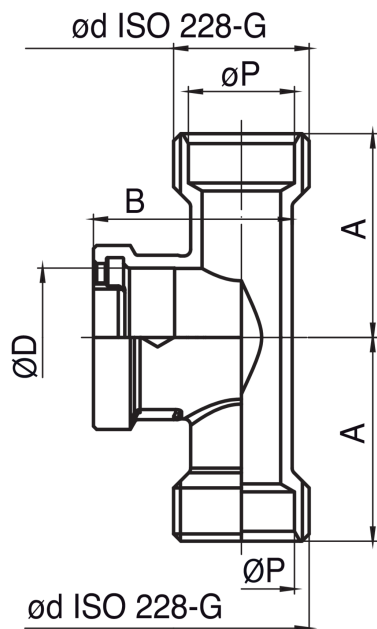


591900

2-ways 180° terminal module for composable manifold.



Technical specifications



$\varnothing D \times \varnothing D$	BAG	BOX	MASTER BOX	CODE	$\varnothing P$	A	B
3/4" x 1/2"	1	15	60	5919002602	16	31	30,4

Applications



DRINKING WATER



HEATING



HVAC



COMPRESSED AIR



INDUSTRIAL



MARINE