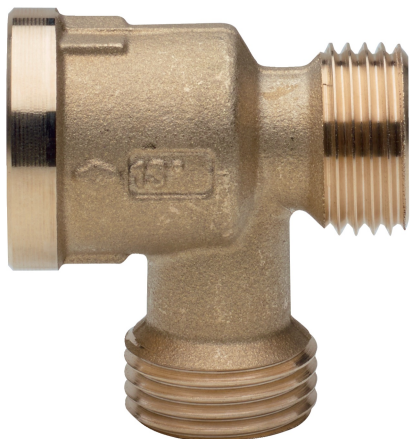
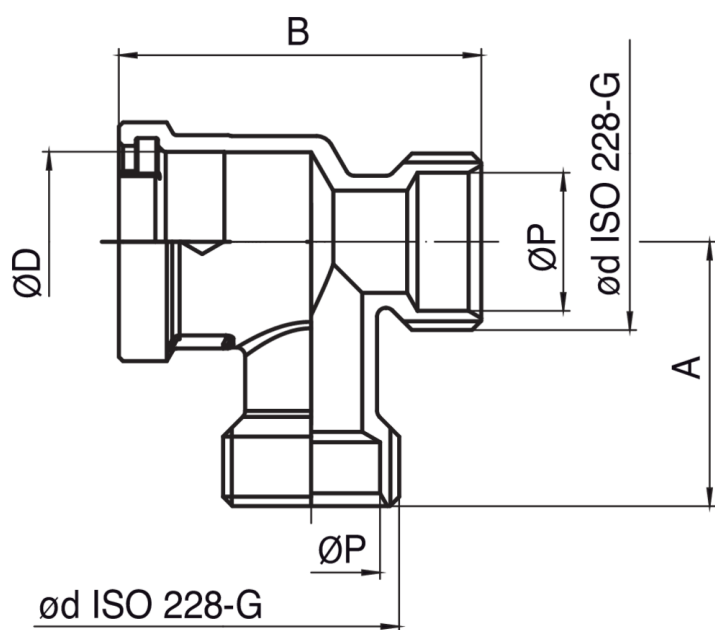


591800

2-ways 90° terminal module for composable manifold.



Technical specifications



ØD X ØD	BAG	BOX	MASTER BOX	CODE	ØP	A	B
3/4" x 1/2"	1	15	120	5918002602	16	31	42,6

Applications



DRINKING WATER



HEATING



HVAC



COMPRESSED AIR



INDUSTRIAL



MARINE