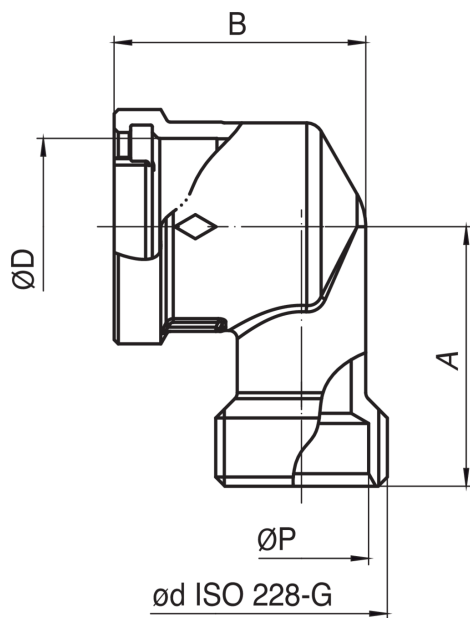


591700

Terminal module single way for composable manifold.



Technical specifications



ØD X ØD	BAG	BOX	MASTER BOX	CODE	ØP	A	B
3/4" x 1/2"	1	15	60	5917002601	16	31	30,4

Applications



DRINKING WATER



HEATING



HVAC



COMPRESSED AIR



INDUSTRIAL



MARINE