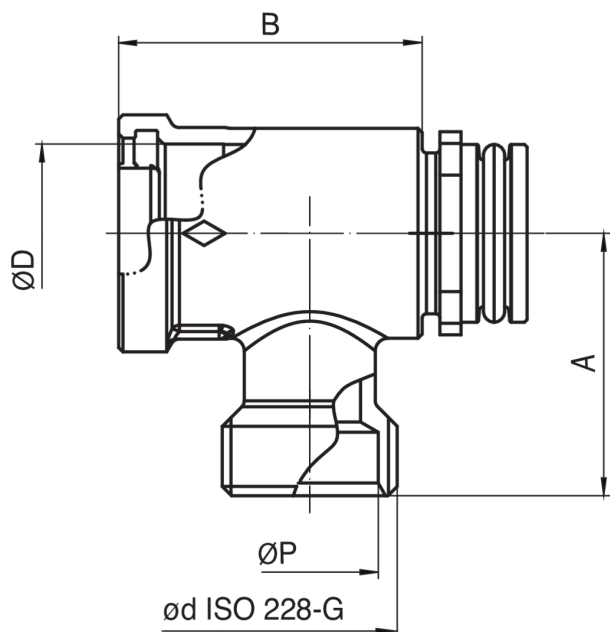


## 591600

Intermediate module for composable manifold.



### Technical specifications



ØD X ØD	BAG	BOX	MASTER BOX	CODE	ØP	A	B
3/4" x 1/2"	1	15	120	5916002601	16	31	36

# Applications



DRINKING WATER



HEATING



HVAC



COMPRESSED AIR



INDUSTRIAL



MARINE