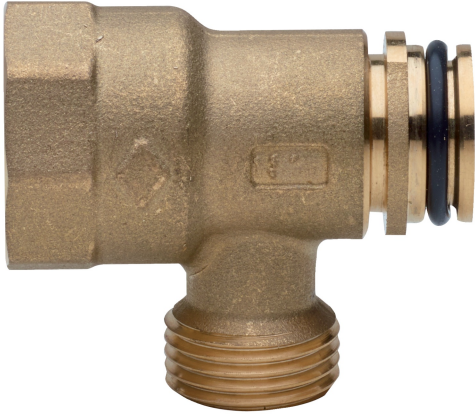
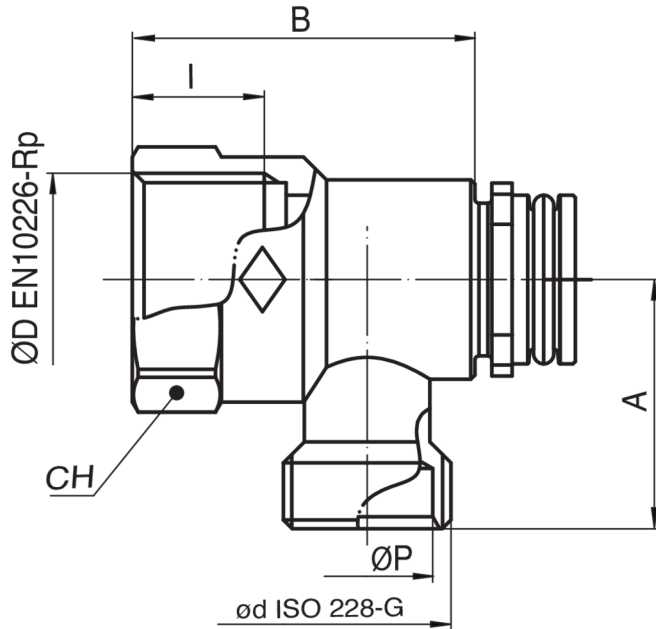


591500

Discharge module for composable manifold.



Technical specifications



ØD X ØD	BAG	BOX	MASTER BOX	CODE	ØP	A	B	CH	I
3/4" x 1/2"	1	15	120	5915002601	16	31	42,3	31	16,3

Applications



DRINKING WATER



HEATING



HVAC



COMPRESSED AIR



INDUSTRIAL



MARINE