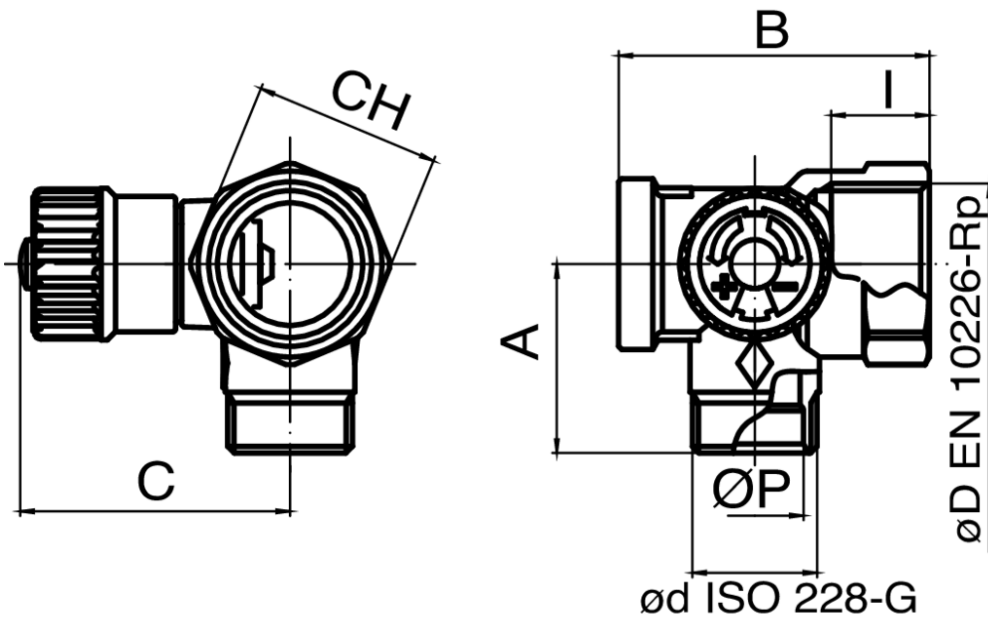


592000

Terminal module, female, with shut-off valve for composable manifold.

Technical specifications



ØD X ØD	BAG	BOX	MASTER BOX	CODE	ØP	A	B	C	CH	I
3/4" x 1/2"	1	10	80	5920002601	16	31	51,6	45	31	16,3

Applications



DRINKING WATER



HEATING



HVAC



COMPRESSED AIR



INDUSTRIAL



MARINE