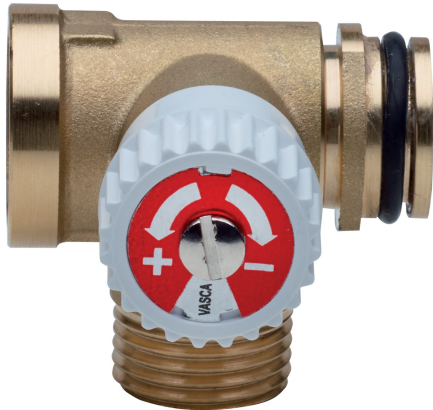
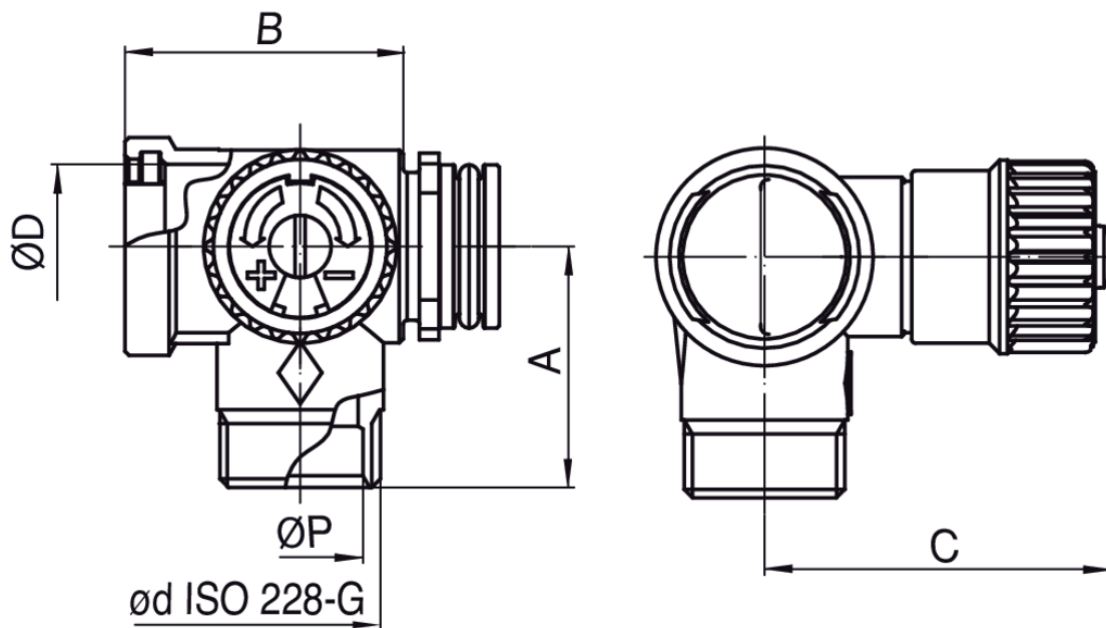


591300



Intermediate module with shut-off valve for composable manifold.

Technical specifications



ØD X ØD	BAG	BOX	MASTER BOX	CODE	ØP	A	B	C	CH
3/4" x 1/2"	1	10	80	5913002601	16	31	36	45	31

Applications



DRINKING WATER



HEATING



HVAC



COMPRESSED AIR



INDUSTRIAL



MARINE