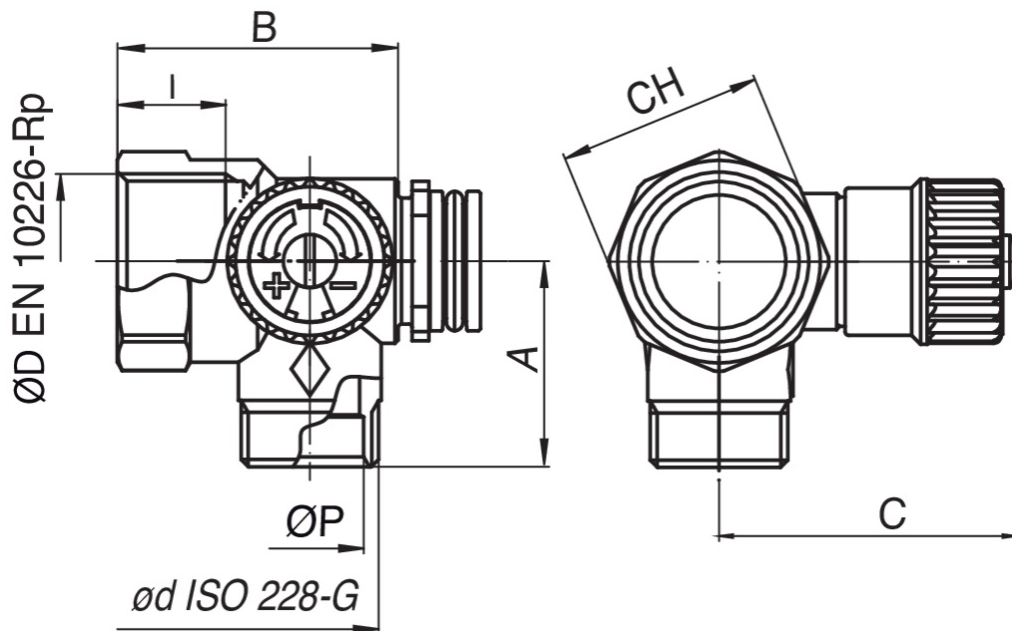




591200

Discharge module, female, with shut-off valve for composable manifold.

Technical specifications



| ØD X ØD | BAG | BOX | MASTER BOX | CODE | ØP | A | B | C | CH | I |
|-------------|-----|-----|------------|------------|----|----|------|----|----|------|
| 3/4" x 1/2" | 1 | 10 | 80 | 5912002601 | 16 | 31 | 42,3 | 45 | 31 | 16,3 |

Applications



DRINKING WATER



HEATING



HVAC



COMPRESSED AIR



INDUSTRIAL



MARINE