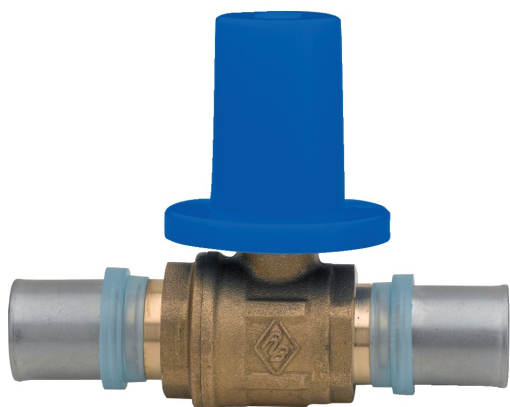


509091

PATENTED

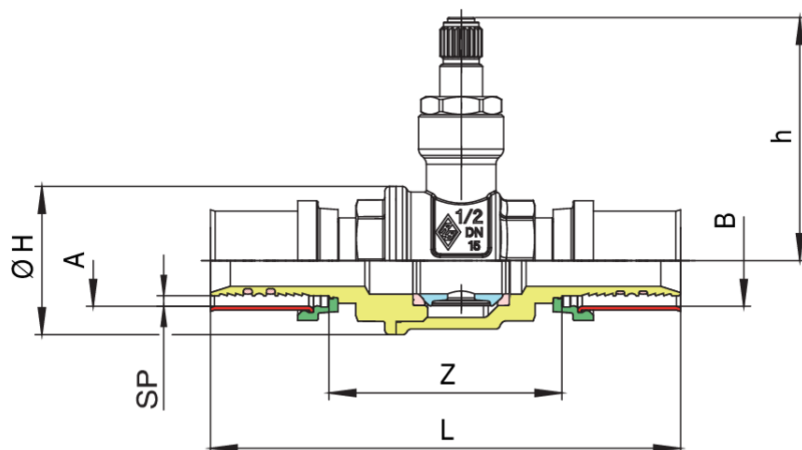
Built-in ball valve, press/press connections with protection cap.



NEW



Technical specifications



A X B	SP	BOX	MASTER BOX	CODE	L	Z	H	ØH
16 x 16	2	15	30	50909116	105	53	54	34,5
18 x 18	2	15	30	50909118	105	53	54	34,5
20 x 20	2	10	20	50909120	105	53	54	34,5
26 x 26	3	15	30	50909126	115,5	53	54	34,5

Applications



DRINKING WATER



HEATING



HVAC



COMPRESSED AIR



INDUSTRIAL



MARINE